

UL SYSTEM NO. F-C-2029

## PLASTIC PIPE THROUGH WOOD FLOOR ASSEMBLY

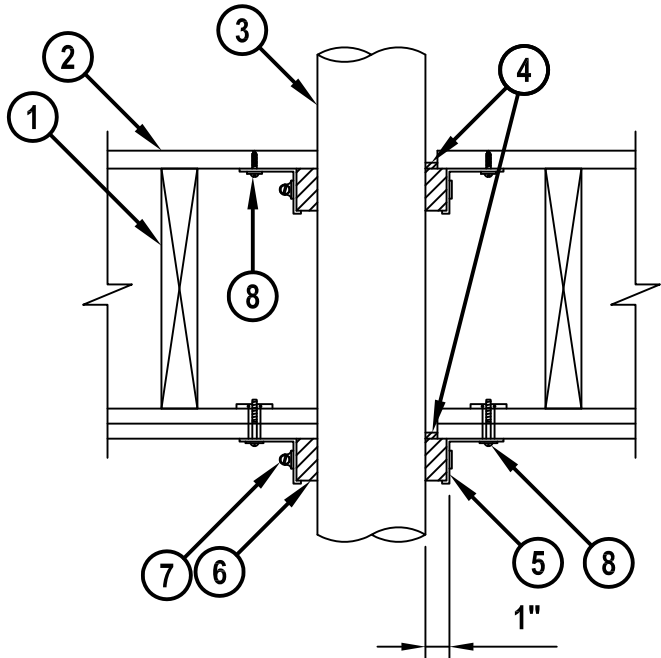
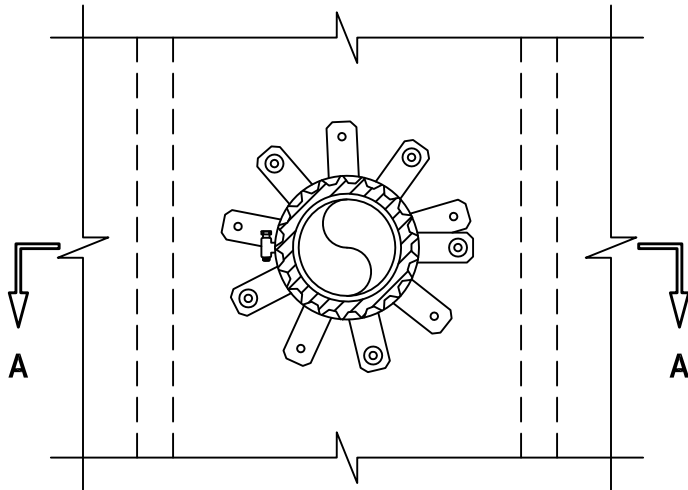
F-RATING = 2-HR.

T-RATING = 2-HR.

FC2029g.012415

**BOTTOM VIEW**

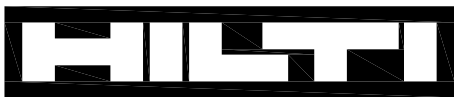
**SECTION A-A**



1. WOOD FLOOR/CEILING ASSEMBLY (UL CLASSIFIED L500 SERIES) (2-HR. FIRE-RATING).
2. LUMBER OR PLYWOOD SUBFLOOR WITH FINISH FLOOR OF LUMBER, PLYWOOD OR FLOOR TOPPING MIXTURE.
3. PENETRATING ITEM TO BE ONE OF THE FOLLOWING :
  - A. MAXIMUM 4" NOMINAL DIAMETER PVC PLASTIC PIPE (SOLID CORE).
  - B. MAXIMUM 4" NOMINAL DIAMETER CPVC PLASTIC PIPE.
4. MINIMUM 1/4" DEPTH HILTI FS-ONE MAX OR FS-ONE INTUMESCENT FIRESTOP SEALANT.
5. HILTI RETAINING COLLAR WRAPPED AROUND PIPE, MAINTAINING A 1" DISTANCE BETWEEN PIPE AND COLLAR, AND OVERLAPPING MINIMUM 1" AT SEAM.
6. HILTI FS-ONE MAX OR FS-ONE INTUMESCENT FIRESTOP SEALANT TO COMPLETELY FILL HILTI RETAINING COLLAR.
7. NOMINAL 1/2" WIDE STAINLESS STEEL HOSE CLAMP(S) FASTENED TO MID-HEIGHT OF COLLAR.
8. EVERY OTHER TAB OF HILTI RETAINING COLLAR SECURED TO GYPSUM CEILING USING 3/16" STEEL TOGGLER BOLTS IN CONJUNCTION WITH 1-1/4" DIAMETER STEEL WASHERS AND TO SUBFLOOR WITH WOOD SCREWS AND WASHERS.

**NOTES :** 1. ANNULAR SPACE = MINIMUM 0", MAXIMUM 1/2".

2. CLOSED OR VENTED PIPING SYSTEM (PVC = SCHEDULE 40; CPVC SDR 13.5).



**Hilti Firestop Systems**

HILTI, Inc.  
Tulsa, Oklahoma USA (800) 879-8000

Sheet	1 of 1
Scale	1/8" = 1"
Date	Jan. 24, 2015

Drawing No.

**FC  
2029g**

*Saving Lives through Innovation and Education*