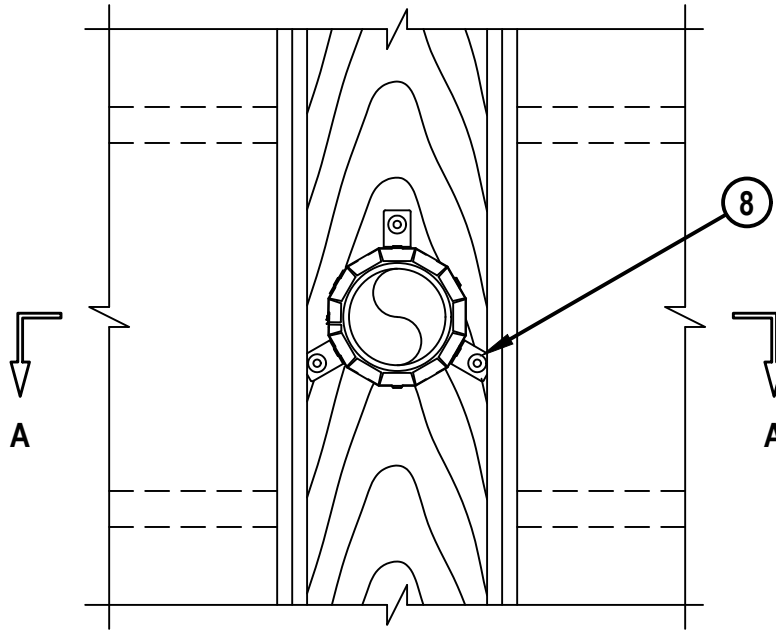


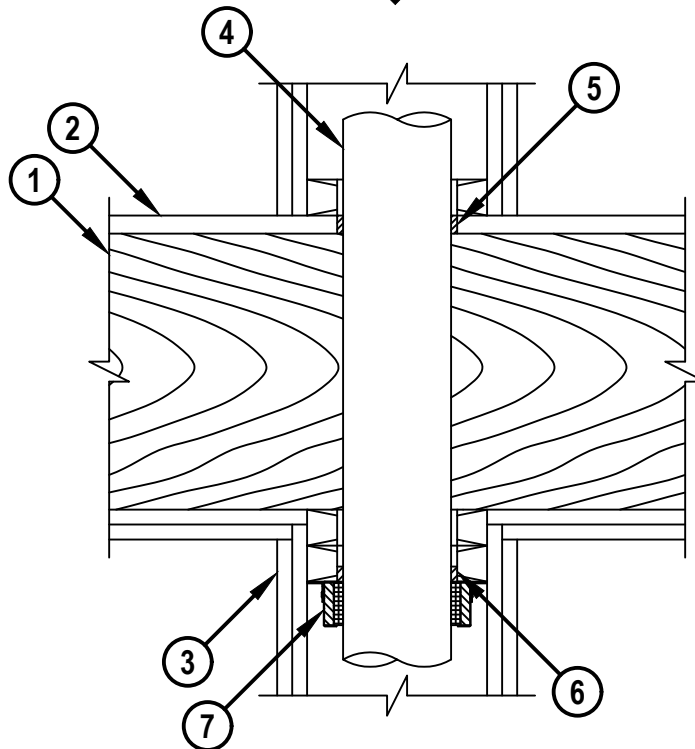
UL SYSTEM NO. F-C-2030
PLASTIC PIPE THROUGH WOOD FLOOR/CEILING ASSEMBLY

F-RATING = 1-HR. OR 2-HR.
T-RATING = 0-HR., 3/4-HR., 1-HR., 1-1/2-HR., OR 2-HR.

BOTTOM VIEW



SECTION A-A



FC2030R.071918



HILTI, Inc.
Plano, Texas USA (800) 879-8000

Sheet	1 of 2
Scale	1/8" = 1"
Date	July 19, 2018

Drawing No.
**FC
2030r**

Saving Lives through Innovation and Education

UL SYSTEM NO. F-C-2030

PLASTIC PIPE THROUGH WOOD FLOOR/CEILING ASSEMBLY

F-RATING = 1-HR. OR 2-HR.

T-RATING = 0-HR., 3/4-HR., 1-HR., 1-1/2-HR., OR 2-HR.

FC2030R.071918

1. WOOD FLOOR/CEILING ASSEMBLY (UL CLASSIFIED L500 SERIES) (1-HR. OR 2-HR. FIRE-RATING) (2-HR. SHOWN).
2. LUMBER OR PLYWOOD SUBFLOOR WITH FINISH FLOOR OF LUMBER, PLYWOOD, OR FLOOR TOPPING MIXTURE.
3. [OPTIONAL] FIRE-RATED OR NON-RATED SINGLE, DOUBLE, OR STAGGERED WOOD STUD/GYPSUM CHASE WALL ASSEMBLY CONSISTING OF NOMINAL 2" x 6" OR PARALLEL 2" x 4" LUMBER PLATES AND STUDS.
4. PENETRATING ITEM TO BE ONE OF THE FOLLOWING (ALSO SEE NOTE NO. 2 BELOW) :
 - A. MAXIMUM 4" NOMINAL DIAMETER PVC PLASTIC PIPE (CELLULAR AND SOLID CORE).
 - B. MAXIMUM 4" NOMINAL DIAMETER ABS PLASTIC PIPE (CELLULAR AND SOLID CORE).
 - C. MAXIMUM 4" NOMINAL DIAMETER FRPP PLASTIC PIPE.
 - D. MAXIMUM 4" NOMINAL DIAMETER CPVC PLASTIC PIPE.
5. MINIMUM 3/4" DEPTH HILTI FS-ONE MAX INTUMESCENT FIRESTOP SEALANT FLUSH WITH TOP SURFACE OF FLOOR OR SOLE PLATE OF CHASE WALL.
6. MINIMUM 5/8" DEPTH HILTI FS-ONE MAX INTUMESCENT FIRESTOP SEALANT FLUSH WITH BOTTOM SURFACE OF CEILING OR LOWER TOP PLATE.
7. HILTI CP 643N FIRESTOP COLLAR WITH FASTENING HOOKS (SEE TABLE BELOW).
8. EACH FASTENING HOOK SECURED TO CEILING WITH MINIMUM 3/16" DIAMETER STEEL TOGGLER BOLTS OR TO THE BOTTOM SURFACE OF LOWER TOP PLATE WITH MINIMUM NO. 12 BY MINIMUM 1" LONG STEEL WOOD SCREWS WITH STEEL WASHERS.

NOMINAL PIPE DIAMETER	PRODUCT DESCRIPTION	NO. OF FASTENING HOOKS	MAXIMUM HOLE SIZE
1-1/2"	CP 643 50/1.5" N	2	2-1/2"
2"	CP 643 63/2" N	2	2-5/8"
3"	CP 643 90/3" N	3	4"
4"	CP 643 110/4" N	3	5"

NOTES : 1. ANNULAR SPACE = MINIMUM 0", MAXIMUM 1/2".
 2. CLOSED OR VENTED PIPING SYSTEM (PVC, ABS, FRPP = SCHEDULE 40; CPVC = SDR 17).



HILTI, Inc.
 Plano, Texas USA (800) 879-8000

Sheet	2 of 2
Scale	-
Date	July 19, 2018

Drawing No.
**FC
 2030r**

Saving Lives through Innovation and Education