

UL SYSTEM NO. F-C-2071

PLASTIC PIPE THROUGH WOOD FLOOR/CEILING ASSEMBLY

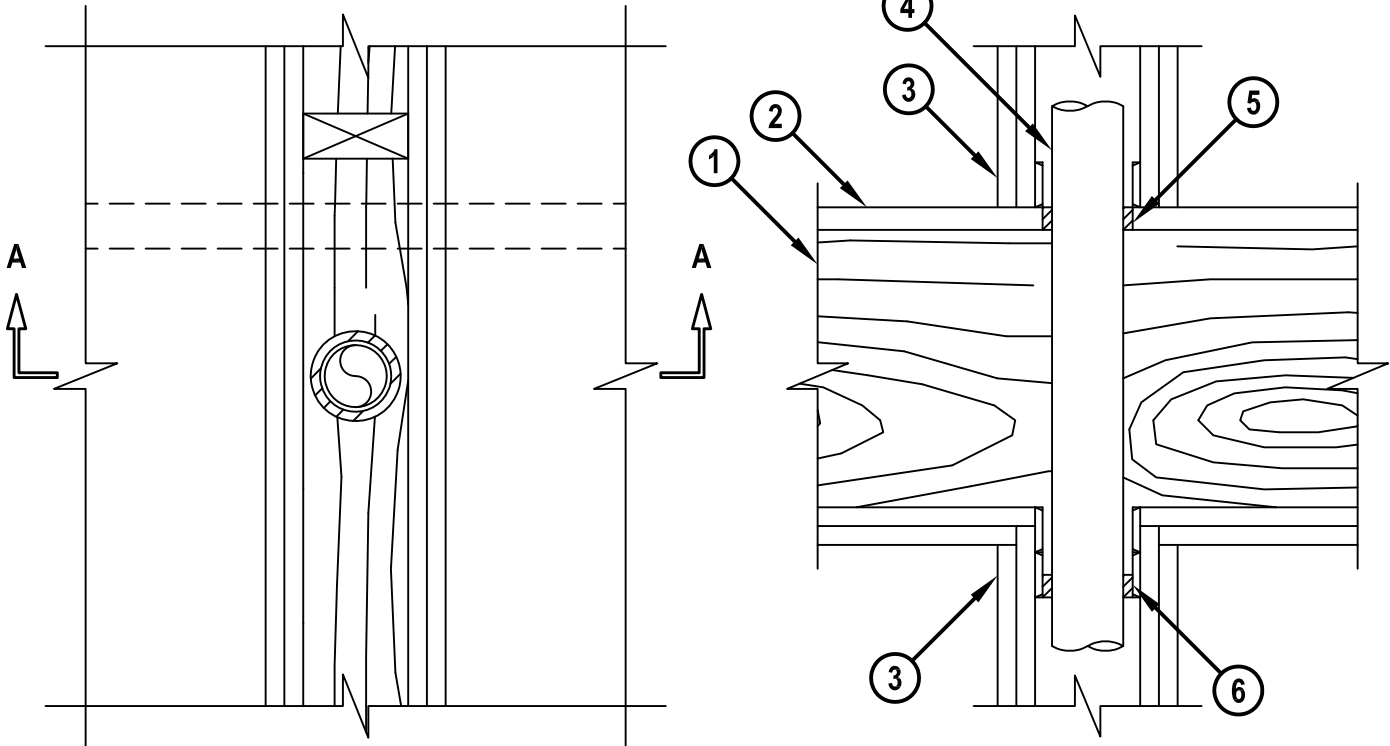
F-RATING = 1-HR. OR 2-HR.

T-RATING = 0-HR.

FC2071e.012415

TOP VIEW

SECTION A-A



1. WOOD FLOOR/CEILING ASSEMBLY (UL CLASSIFIED L500 SERIES) (1-HR. OR 2-HR. FIRE-RATING) (2-HR. SHOWN).
2. LUMBER OR PLYWOOD SUBFLOOR WITH FINISH FLOOR OF LUMBER, PLYWOOD, OR FLOOR TOPPING MIXTURE.
3. [OPTIONAL] GYPSUM WALL ASSEMBLY (UL CLASSIFIED U300 SERIES) (1-HR. OR 2-HR. FIRE-RATING) (2-HR. SHOWN) CONSISTING OF NOMINAL 2" x 4" LUMBER PLATES AND STUDS.
4. PENETRATING ITEM TO BE ONE OF THE FOLLOWING (CLOSED PIPING SYSTEM ONLY) :
 - A. NOMINAL 2" DIAMETER PVC PLASTIC PIPE (SOLID CORE).
 - B. NOMINAL 2" DIAMETER CPVC PLASTIC PIPE.
5. MINIMUM 3/4" DEPTH HILTI FS-ONE MAX OR FS-ONE INTUMESCENT FIRESTOP SEALANT FLUSH WITH TOP SURFACE OF FLOOR OR SOLE PLATE.
6. MINIMUM 5/8" DEPTH HILTI FS-ONE MAX OR FS-ONE INTUMESCENT FIRESTOP SEALANT FLUSH WITH BOTTOM SURFACE OF CEILING OR LOWER TOP PLATE.

NOTES : 1. DIAMETER OF OPENING IS 1" LARGER THAN NOMINAL DIAMETER OF PENETRANT.
2. ANNULAR SPACE = MINIMUM 1/4", MAXIMUM 3/8".
3. PVC = SCHEDULE 40; CPVC = SDR 17.



HILTI, Inc.
Tulsa, Oklahoma USA (800) 879-8000

Sheet	1 of 1
Scale	1/8" = 1"
Date	Jan. 24, 2015

Drawing No.

**FC
2071e**

Saving Lives through Innovation and Education