

UL SYSTEM NO. F-C-2128

PLASTIC PIPE THROUGH WOOD FLOOR/CEILING ASSEMBLY

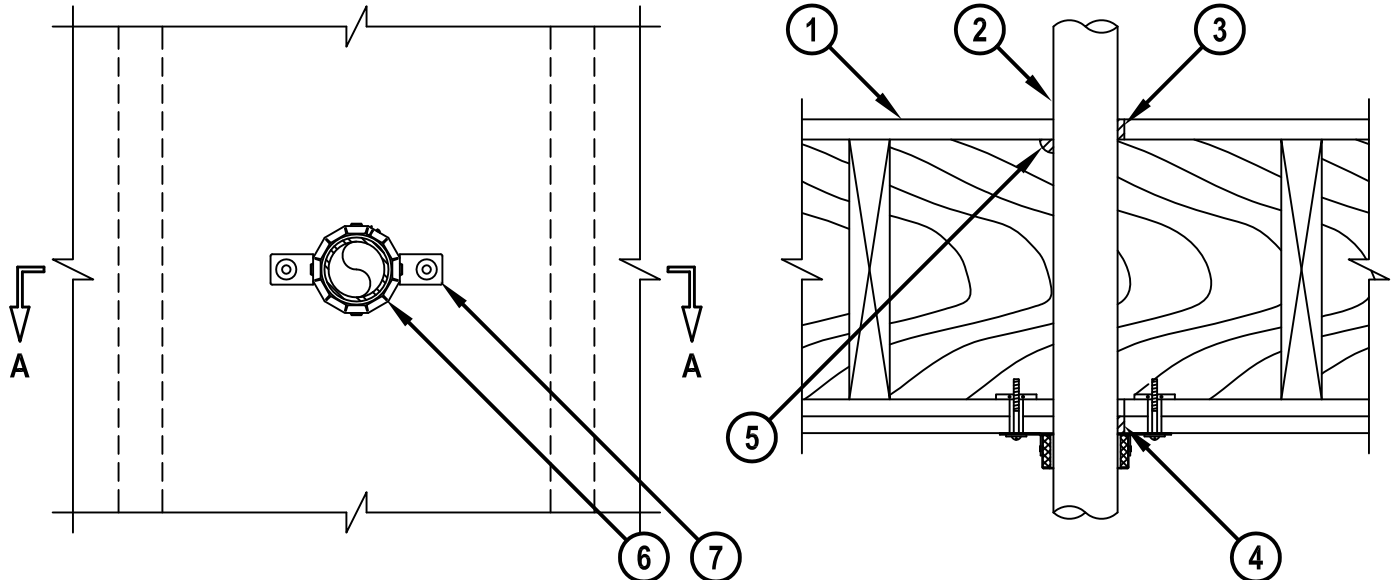
F-RATING = 1-HR. OR 2-HR.

T-RATING = 1-HR. OR 2-HR.

FC2128g.010715

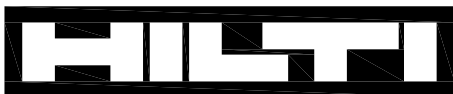
BOTTOM VIEW

SECTION A-A



1. WOOD FLOOR/CEILING ASSEMBLY (UL CLASSIFIED L500 SERIES) (1-HR. OR 2-HR. FIRE-RATING) (2-HR. SHOWN).
2. PENETRATING ITEM TO BE ONE OF THE FOLLOWING (SEE NOTE NO. 3 BELOW) :
 - A. MAXIMUM 2" NOMINAL DIAMETER PVC PLASTIC PIPE (CELLULAR AND SOLID CORE).
 - B. MAXIMUM 2" NOMINAL DIAMETER ABS PLASTIC PIPE (CELLULAR AND SOLID CORE).
 - C. MAXIMUM 2" NOMINAL DIAMETER CPVC PLASTIC PIPE.
3. MINIMUM 3/4" DEPTH OF HILTI FS-ONE MAX OR FS-ONE INTUMESCENT FIRESTOP SEALANT FLUSH WITH TOP SURFACE OF FLOOR OR SOLE PLATE.
4. MINIMUM 5/8" DEPTH HILTI FS-ONE MAX OR FS-ONE INTUMESCENT FIRESTOP SEALANT FLUSH WITH BOTTOM SURFACE OF CEILING OR LOWER TOP PLATE.
5. MINIMUM 1/2" BEAD OF HILTI FS-ONE MAX OR FS-ONE INTUMESCENT FIRESTOP SEALANT APPLIED AT POINT OF CONTACT.
6. HILTI CP 643N FIRESTOP COLLAR WITH FASTENING HOOKS.
7. EACH FASTENING HOOK SECURED TO CEILING WITH MINIMUM 1/8" DIAMETER STEEL TOGGLER BOLTS OR TO THE BOTTOM SURFACE OF LOWER TOP PLATE WITH MINIMUM 1-1/2" LONG STEEL WOOD SCREWS.

NOTES : 1. MAXIMUM DIAMETER OF OPENING = 3".
2. ANNULAR SPACE = MINIMUM 0", MAXIMUM 5/8".
3. CLOSED OR VENTED PIPING SYSTEM (PVC & ABS = SCHEDULE 40; CPVC = SDR 17).
4. CHASE WALL (NOT SHOWN, OPTIONAL) - THE THROUGH PENETRANT MAY BE ROUTED THROUGH A 1-HR. OR 2-HR. FIRE-RATED GYPSUM CHASE WALL.
5. 2-HR. FLOOR/CEILING ASSEMBLY TO BE UL DESIGN NO. L505, L511, OR L536.



Hilti Firestop Systems

HILTI, Inc.
Tulsa, Oklahoma USA (800) 879-8000

Sheet	1 of 1
Scale	9/64" = 1"
Date	Jan. 07, 2015

Drawing No.

**FC
2128g**

Saving Lives through Innovation and Education