

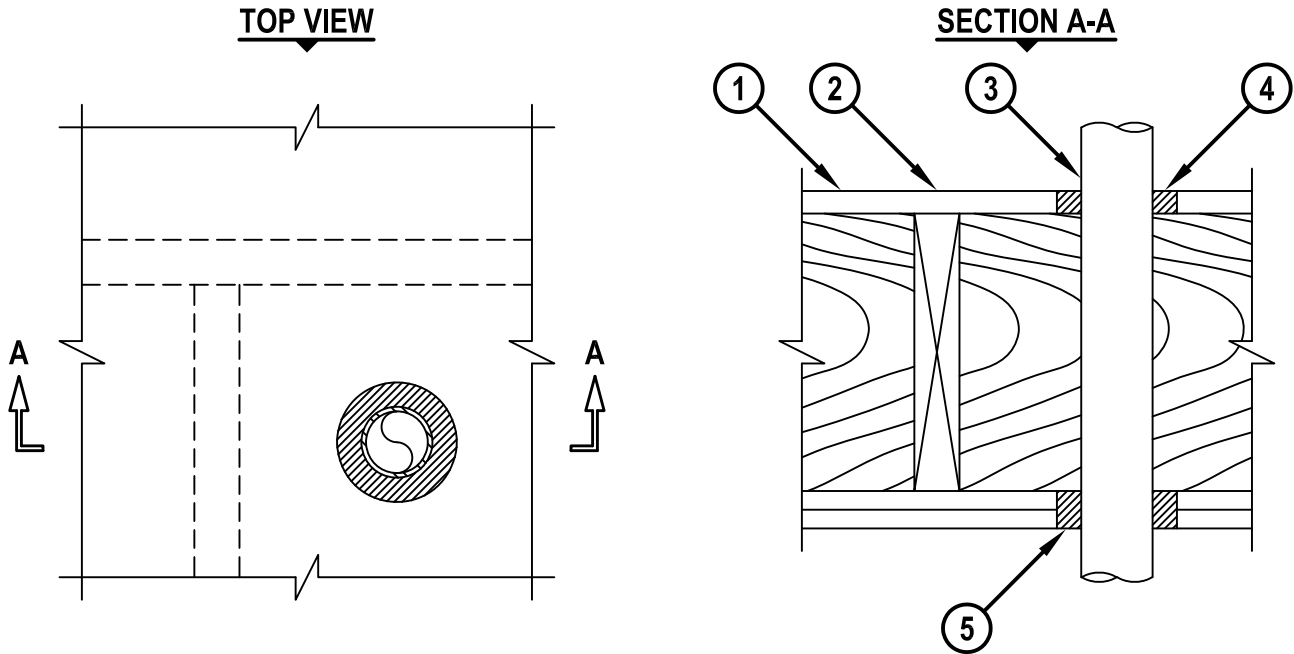
UL SYSTEM NO. F-C-2160

## PLASTIC PIPE THROUGH WOOD FLOOR/CEILING ASSEMBLY

F-RATING = 1-HR. OR 2-HR.

T-RATING = 1-HR. OR 2-HR.

FC2160g.041618



1. WOOD FLOOR/CEILING ASSEMBLY (UL CLASSIFIED L500 SERIES) (1-HR. OR 2-HR. FIRE-RATING) (2-HR. SHOWN).
2. LUMBER OR PLYWOOD SUB FLOOR WITH FINISH FLOOR OF LUMBER, PLYWOOD, OR FLOOR TOPPING MIXTURE.
3. PENETRATING ITEM TO BE ONE OF THE FOLLOWING (ALSO SEE NOTE NO. 3 BELOW) :
  - A. MAXIMUM 2" NOMINAL DIAMETER PVC PLASTIC PIPE (SCHEDULE 40) (CELLULAR OR SOLID CORE) (CLOSED OR VENTED PIPING SYSTEM).
  - B. MAXIMUM 2" NOMINAL DIAMETER CPVC PLASTIC PIPE (SDR 13.5) (CLOSED PIPING SYSTEM ONLY).
4. MINIMUM 3/4" DEPTH HILTI FS-ONE MAX INTUMESCENT FIRESTOP SEALANT FLUSH WITH TOP SURFACE OF FLOOR OR SOLE PLATE.
5. HILTI FS-ONE MAX INTUMESCENT FIRESTOP SEALANT FLUSH WITH BOTTOM SURFACE OF CEILING OR LOWER TOP PLATE :
  - A. MINIMUM 5/8" DEPTH REQUIRED FOR 1-HR. FIRE-RATING.
  - B. MINIMUM 1-1/4" DEPTH REQUIRED FOR 2-HR. FIRE-RATING.

**NOTES :** 1. DIAMETER OF OPENING SHALL BE 2" LARGER THAN NOMINAL DIAMETER OF PIPE.  
2. ANNULAR SPACE = MINIMUM 1/2", MAXIMUM 1-1/8".  
3. CHASE WALL [NOT SHOWN, OPTIONAL] - PENETRATING ITEM MAY BE ROUTED THROUGH A FIRE-RATED OR NON-RATED SINGLE, DOUBLE, OR STAGGERED WOOD STUD/GYPSUM CHASE WALL ASSEMBLY CONSISTING OF NOMINAL 2" x 6" OR PARALLEL 2" x 4" LUMBER PLATES AND STUDS.



HILTI, Inc.  
Plano, Texas USA (800) 879-8000

Sheet	1 of 1
Scale	5/32" = 1"
Date	Apr. 16, 2018

Drawing No.

**FC  
2160g**

*Saving Lives through Innovation and Education*