

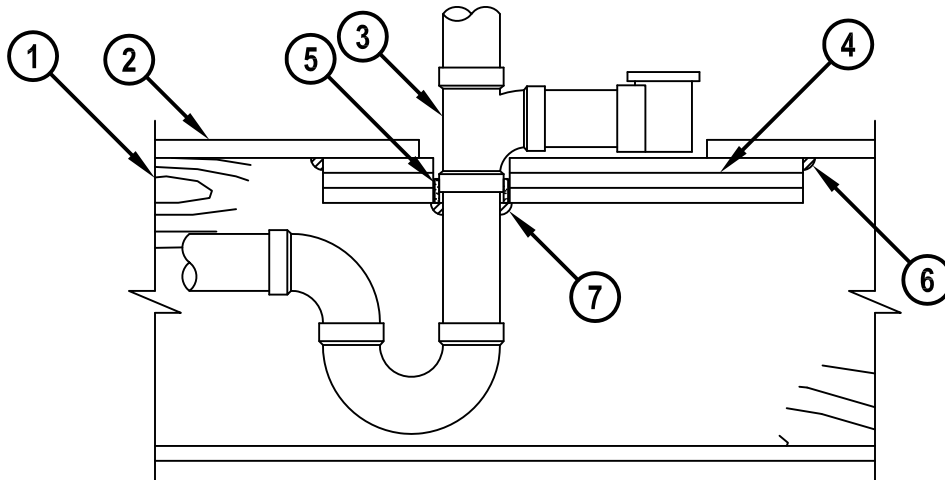
UL SYSTEM NO. F-C-2189

## PLASTIC PIPE THROUGH WOOD FLOOR/CEILING ASSEMBLY

F-RATING = 1-HR.

T-RATING = 1-HR.

### CROSS-SECTIONAL VIEW



FC2189c.010715

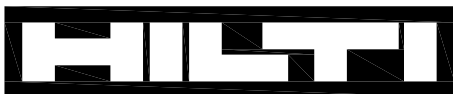
1. WOOD FLOOR/CEILING ASSEMBLY (UL CLASSIFIED L500 SERIES) (1-HR. FIRE-RATING).
2. LUMBER OR PLYWOOD SUBFLOOR WITH FINISH FLOOR OF LUMBER, PLYWOOD, OR FLOOR TOPPING MIXTURE.
3. MAXIMUM 2" NOMINAL DIAMETER PVC OR ABS PLASTIC PIPE AND DRAIN FITTINGS WITH PVC OR ABS BATHTUB WASTE/OVERFLOW FITTINGS (CELLULAR OR SOLID CORE).
4. THREE PIECES OF GYPSUM WALLBOARD, EACH MINIMUM 4" LONGER AND WIDER THAN CUTOUT IN SUBFLOOR, SCREW ATTACHED TO BOTTOM OF FLOORING CONCENTRIC WITH CUTOUT. IN ADDITION, MINIMUM 1/2" x 2" HIGH WAVY BEAD OF HILTI FS-ONE INTUMESCENT FIRESTOP SEALANT TO BE APPLIED TO THE TOP PERIMETER OF EACH PIECE OF GYPSUM WALLBOARD PRIOR TO ITS INSTALLATION.
5. HILTI CP 648E WRAP STRIP (NOMINAL 3/16" THICK x 1" WIDE) CONTINUOUSLY WRAPPED AROUND THE OUTER CIRCUMFERENCE OF THE PIPE, COVERING ONE TIME, AND HELD IN PLACE WITH TAPE.
6. MINIMUM 1/2" BEAD HILTI FS-ONE MAX OR FS-ONE INTUMESCENT FIRESTOP SEALANT APPLIED AROUND THE PERIMETER OF THE GYPSUM WALLBOARD.
7. MINIMUM 1/2" BEAD HILTI FS-ONE MAX OR FS-ONE INTUMESCENT FIRESTOP SEALANT APPLIED TO THE BOTTOM OF THE WRAP STRIP.

NOTES : 1. MAXIMUM SIZE OF RECTANGULAR CUTOUT = 8" x 12".

2. MAXIMUM DIAMETER OF OPENING IN GYPSUM WALLBOARD TO BE 1/2" LARGER THAN BATHTUB DRAIN FITTING.

3. CLOSED OR VENTED PIPING SYSTEMS (PVC, ABS = SCHEDULE 40)

4. AS AN ALTERNATE TO HILTI CP 648E WRAP STRIP, HILTI CP 648S/1.5" OR CP 648S/2" WRAP STRIP MAY BE USED ON 1-1/2" AND 2" PIPES, RESPECTIVELY. WRAP HILTI CP 648S WRAP STRIP AROUND THE CIRCUMFERENCE OF THE PIPE AND HOLD IN PLACE WITH INTEGRATED TAPE. WRAP STRIP TO BE SLID INTO ANNULAR SPACE, FLUSH WITH BOTTOM SURFACE OF GYPSUM BOARD.



**Hilti Firestop Systems**

HILTI, Inc.  
Tulsa, Oklahoma USA (800) 879-8000

Sheet 1 of 1

Scale 1/8" = 1"

Date Jan. 07, 2015

Drawing No.

**FC  
2189c**

*Saving Lives through Innovation and Education*