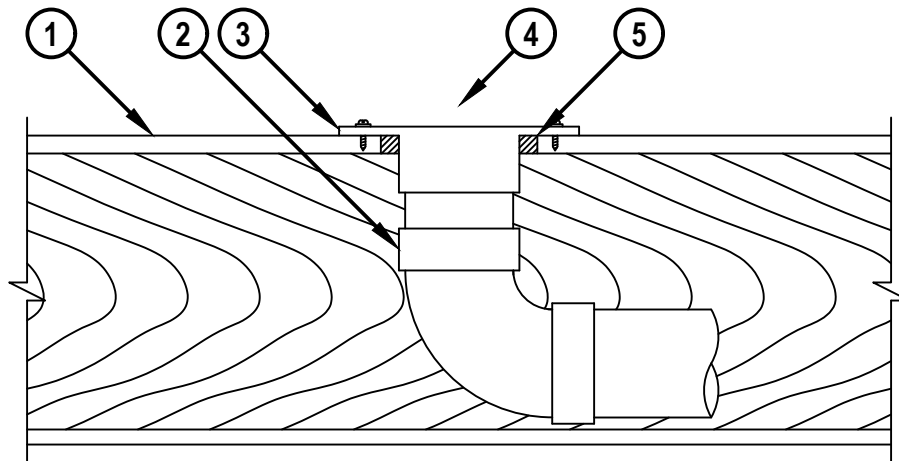


UL SYSTEM NO. F-C-2203  
**CLOSET FLANGE THROUGH WOOD FLOOR/CEILING ASSEMBLY**

F-RATING = 1-HR.

T-RATING = 1-HR.

**CROSS-SECTIONAL VIEW**



FC2203d.011617

1. WOOD FLOOR/CEILING ASSEMBLY (UL CLASSIFIED L500 SERIES) (1-HR. FIRE-RATING).
2. DRAIN PIPING AND 90° ELBOW TO BE ONE OF THE FOLLOWING :
  - A. MAXIMUM 4" NOMINAL DIAMETER PVC PLASTIC PIPE (SCHEDULE 40).
  - B. MAXIMUM 4" NOMINAL DIAMETER ABS PLASTIC PIPE (SCHEDULE 40).
3. PVC OR ABS CLOSET FLANGE SIZED TO ACCOMMODATE DRAIN PIPE. CLOSET FLANGE SECURED TO PLYWOOD SUBFLOOR WITH STEEL SCREWS.
4. (NOT SHOWN). FLOOR MOUNTED VITREOUS CHINA WATER CLOSET.
5. MINIMUM 3/4" DEPTH HILTI FS-ONE MAX INTUMESCENT FIRESTOP SEALANT.

**NOTE : DIAMETER OF OPENING TO BE MAXIMUM 1/2" LARGER THAN OUTSIDE DIAMETER OF CLOSET FLANGE.**

**HILTI**  
Hilti Firestop Systems

HILTI, Inc.  
Plano, Texas USA (800) 879-8000

Sheet	1 of 1
Scale	1/8" = 1"
Date	Jan. 16, 2017

Drawing No.  
**FC  
2203d**

*Saving Lives through Innovation and Education*