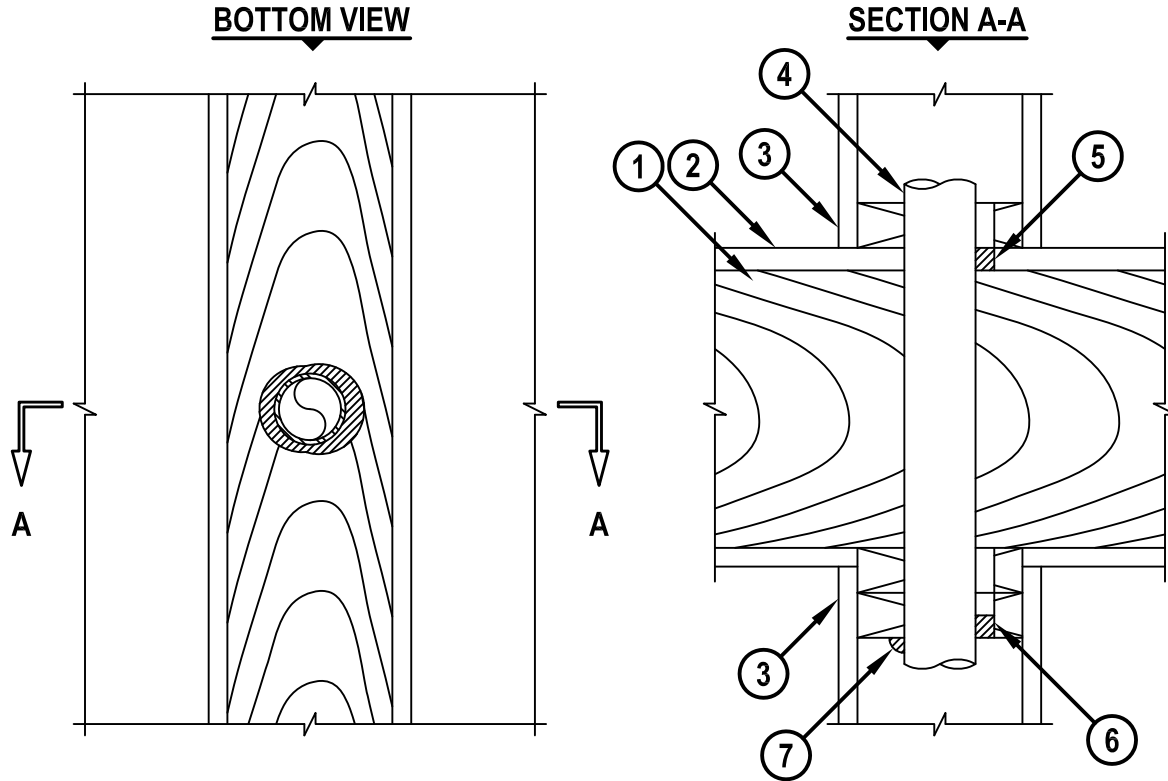


**FLOWGUARD GOLD® OR BLAZEMASTER® PIPE THROUGH  
WOOD FLOOR/CEILING ASSEMBLY**

F-RATING = 1-HR.  
T-RATING = 0-HR.

FC2270f.011515



1. WOOD FLOOR/CEILING ASSEMBLY (UL CLASSIFIED L500 SERIES) (1-HR. FIRE-RATING).
2. LUMBER OR PLYWOOD SUBFLOOR WITH FINISH FLOOR OF LUMBER, PLYWOOD, OR FLOOR TOPPING MIXTURE.
3. [OPTIONAL] GYPSUM WALL ASSEMBLY (UL CLASSIFIED U300 SERIES) (1-HR. FIRE-RATING) CONSISTING OF NOMINAL 2" x 4" LUMBER PLATES AND STUDS.
4. PENETRATING ITEM TO BE ONE OF THE FOLLOWING (CLOSED PIPING SYSTEM) :  
 A. MAXIMUM 2" NOMINAL DIAMETER FLOWGUARD GOLD® CPVC PIPE (SDR 11).  
 B. MAXIMUM 2" NOMINAL DIAMETER BLAZEMASTER® CPVC PIPE (SDR 13.5).
5. MINIMUM 3/4" DEPTH HILTI FS-ONE MAX OR FS-ONE INTUMESCENT FIRESTOP SEALANT FLUSH WITH TOP SURFACE OF FLOOR OR SOLE PLATE OF CHASE WALL.
6. MINIMUM 5/8" DEPTH HILTI FS-ONE MAX OR FS-ONE INTUMESCENT FIRESTOP SEALANT FLUSH WITH BOTTOM SURFACE OF CEILING OR LOWER TOP PLATE.
7. MINIMUM 1/2" BEAD HILTI FS-ONE MAX OR FS-ONE INTUMESCENT FIRESTOP SEALANT APPLIED AT POINT OF CONTACT.

**NOTES : 1. MAXIMUM DIAMETER OF OPENING = 3".  
2. ANNULAR SPACE = MINIMUM 0", MAXIMUM 5/8".**

FlowGuard Gold and BlazeMaster are registered trademarks of The Lubrizol Corp.  
FBC is a trademark of The Lubrizol Corp.



HILTI, Inc.  
Tulsa, Oklahoma USA (800) 879-8000

Sheet	1 of 1
Scale	5/32" = 1"
Date	Jan. 15, 2015

Drawing No.  
**FC  
2270f**