

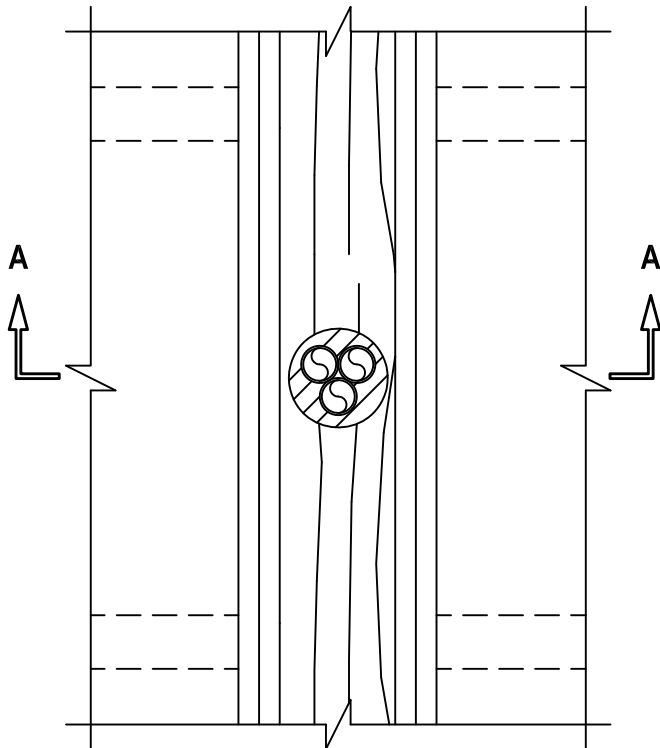
UL SYSTEM NO. F-C-2310

# MULTIPLE PLASTIC PEX TUBING THROUGH WOOD FLOOR/CEILING ASSEMBLY

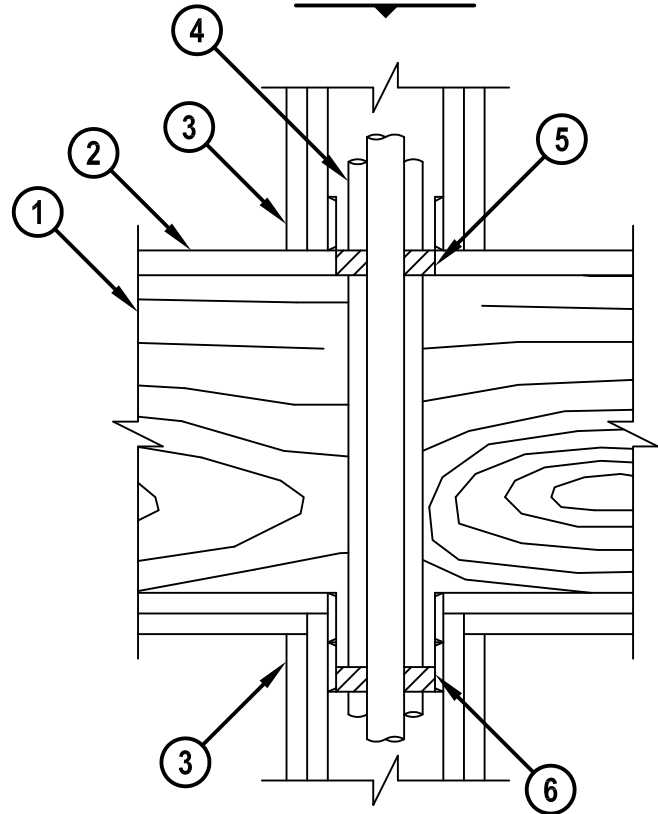
F-RATING = 1-HR. OR 2-HR.  
T-RATING = 1-HR. OR 1-1/2-HR.

FC2310d.010715

TOP VIEW



SECTION A-A



1. WOOD FLOOR/CEILING ASSEMBLY (UL CLASSIFIED L500 SERIES) (1-HR. OR 2-HR. FIRE-RATING) (2-HR. SHOWN).
2. LUMBER OR PLYWOOD SUBFLOOR WITH FINISH FLOOR OF LUMBER, PLYWOOD, OR FLOOR TOPPING MIXTURE.
3. [OPTIONAL] GYPSUM WALL ASSEMBLY (UL CLASSIFIED U300 SERIES) (1-HR. OR 2-HR. FIRE-RATING) (2-HR. SHOWN) CONSISTING OF NOMINAL 2" x 4" LUMBER PLATES AND STUDS.
4. MAXIMUM 1" NOMINAL DIAMETER CROSS-LINKED POLYETHYLENE (PEX) SDR 9 TUBING (CLOSED OR VENTED PIPING SYSTEM) (MAXIMUM QUANTITY = 3).
5. MINIMUM 3/4" DEPTH HILTI FS-ONE MAX OR FS-ONE INTUMESCENT FIRESTOP SEALANT FLUSH WITH TOP SURFACE OF FLOOR OR SOLE PLATE.
6. MINIMUM 5/8" DEPTH HILTI FS-ONE MAX OR FS-ONE INTUMESCENT FIRESTOP SEALANT FLUSH WITH BOTTOM SURFACE OF CEILING OR LOWER TOP PLATE.

NOTES : 1. MAXIMUM DIAMETER OF OPENING = 3".  
2. ANNULAR SPACE BETWEEN TUBING AND OPENING = MINIMUM 3/16", MAXIMUM 1".  
3. ANNULAR SPACE BETWEEN TUBING = MINIMUM 0", MAXIMUM 1/4".



HILTI, Inc.  
Tulsa, Oklahoma USA (800) 879-8000

Sheet	1 of 1
Scale	11/64" = 1"
Date	Jan. 07, 2015

Drawing No.  
**FC  
2310d**

*Saving Lives through Innovation and Education*