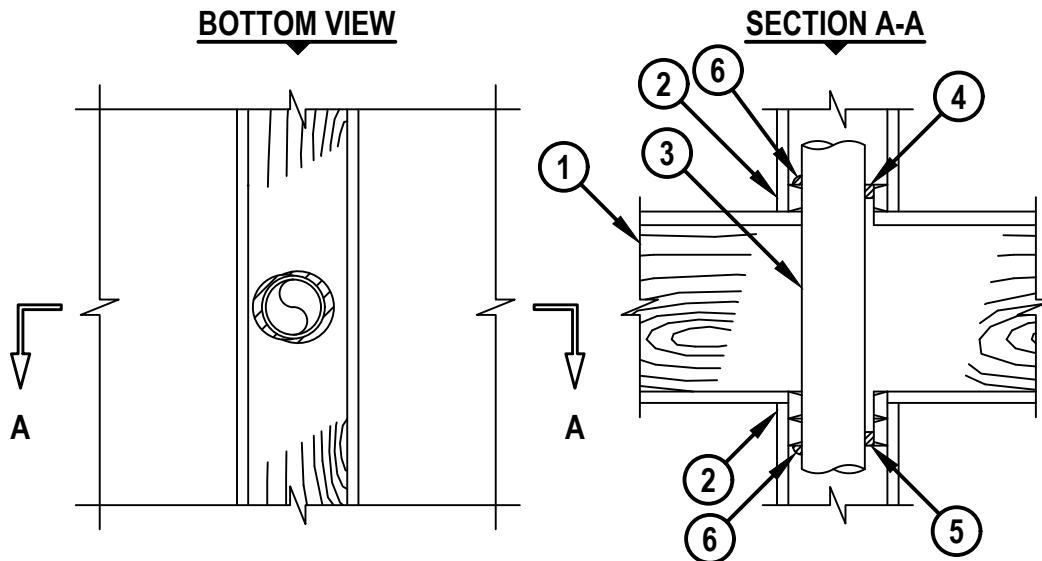


UL SYSTEM NO. F-C-2389

PLASTIC PIPE THROUGH WOOD FLOOR/CEILING ASSEMBLY

F-RATING = 1-HR.

T-RATING = 0-HR.



FC2389f.091222

1. WOOD FLOOR/CEILING ASSEMBLY (UL CLASSIFIED L500 SERIES) (1-HR. FIRE-RATING).
2. GYPSUM WALL ASSEMBLY TO INCLUDE THE FOLLOWING CONSTRUCTION FEATURES :
 - A. WOOD PLATES AND STUDS TO CONSIST OF NOMINAL 2" x 4" OR 2" x 6" LUMBER (SPACED MAXIMUM 16" OC).
 - B. MINIMUM 1/2" THICK RATED OR NON-RATED GYPSUM WALLBOARD.
3. PENETRATING ITEM TO BE ONE OF THE FOLLOWING :
 - A. MAXIMUM 3" NOMINAL DIAMETER PVC PLASTIC PIPE (CELLULAR OR SOLID CORE).
 - B. MAXIMUM 3" NOMINAL DIAMETER CPVC PLASTIC PIPE (CLOSED PIPING SYSTEM ONLY).
 - C. MAXIMUM 3" NOMINAL DIAMETER ABS PLASTIC PIPE (CELLULAR OR SOLID CORE).
 - D. MAXIMUM 2" NOMINAL DIAMETER ENT.
4. MINIMUM 3/4" DEPTH HILTI FS-ONE MAX INTUMESCENT FIRESTOP SEALANT FLUSH WITH TOP SURFACE OF FLOOR OR TOP SURFACE OF SOLE PLATE.
5. MINIMUM 3/4" DEPTH HILTI FS-ONE MAX INTUMESCENT FIRESTOP SEALANT FLUSH WITH BOTTOM SURFACE OF LOWER TOP PLATE.
6. MINIMUM 1/2" BEAD HILTI FS-ONE MAX INTUMESCENT FIRESTOP SEALANT APPLIED AT POINT OF CONTACT OR OUT TO MAXIMUM 1/8" ANNULAR SPACE.

NOTES : 1. MAXIMUM DIAMETER OF OPENING = 4".
2. ANNULAR SPACE = MINIMUM 0", MAXIMUM 5/8".
3. CLOSED OR VENTED PIPING SYSTEM (PVC, ABS = SCHEDULE 40; CPVC = SDR 13.5).
4. WHEN LUMBER PLATES ARE DISCONTINUOUS, ATTACH MINIMUM 1-1/2" WIDE STEEL STRAP (MIN. 20 GA.) AT SOLE PLATE AND MINIMUM 3" WIDE STEEL STRAP AT TOP PLATES TO BRIDGE OPENING. STRAPS TO OVERLAP PLATES MINIMUM 2" ON EACH SIDE OF OPENING AND SECURED WITH MINIMUM OF 2 NAILS OR SCREWS ON EACH SIDE.
5. T-RATING IS 3/4-HR. WHEN PVC OR CPVC PIPE IS USED AND 1-HR. WHEN ABS PIPE OR ENT IS USED.

HILTI
Hilti Firestop Systems

HILTI, Inc.
Plano, Texas USA (800) 879-8000

Sheet	1 of 1
Scale	3/32" = 1"
Date	Sep. 12, 2022

Drawing No.

FC
2389f

Saving Lives through Innovation and Education