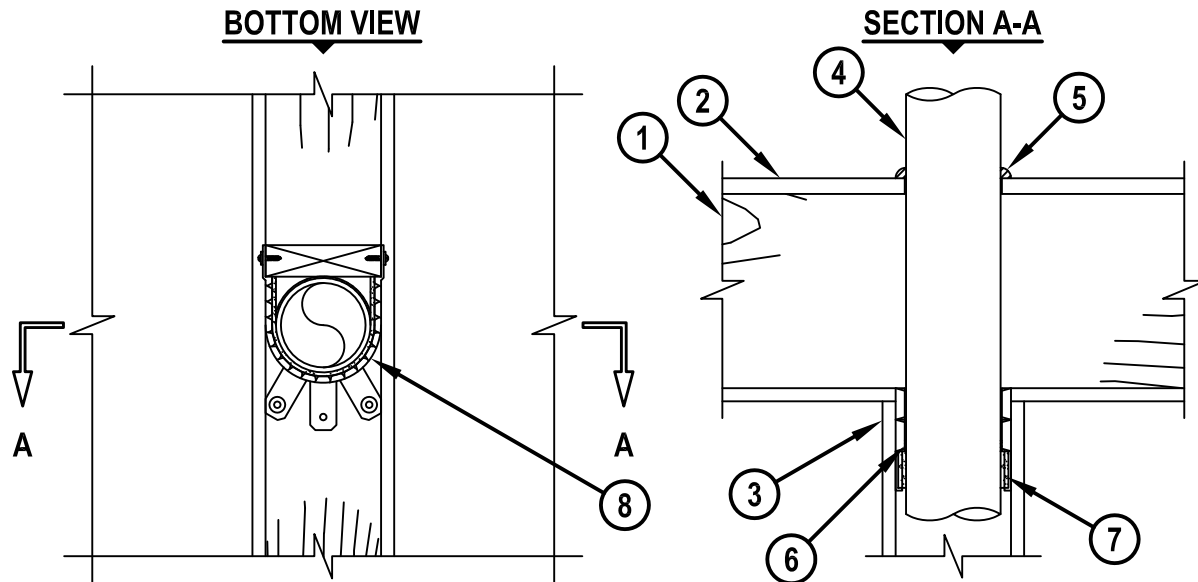


UL SYSTEM NO. F-C-2401

PLASTIC PIPE THROUGH WOOD FLOOR/CEILING ASSEMBLY

F-RATING = 1-HR.

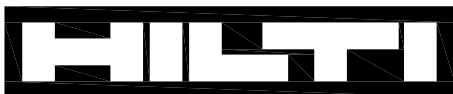
T-RATING = 1-HR.



FC2401b.010715

1. WOOD FLOOR/CEILING ASSEMBLY (UL CLASSIFIED L500 SERIES) (1-HR. FIRE-RATING).
2. LUMBER OR PLYWOOD SUBFLOOR WITH FINISH FLOOR OF LUMBER, PLYWOOD, OR FLOOR TOPPING MIXTURE.
3. GYPSUM WALL ASSEMBLY TO INCLUDE THE FOLLOWING CONSTRUCTION FEATURES :
 - A. [NOT SHOWN] WOOD STUDS TO CONSIST OF NOMINAL 2" x 6" LUMBER (SPACED MAXIMUM 16" OC).
 - B. MINIMUM 5/8" THICK GYPSUM WALLBOARD (RATED OR NON-RATED).
4. MAXIMUM 4" NOMINAL DIAMETER PVC PLASTIC PIPE (SCH 40) (CELLULAR CORE) (CLOSED OR VENTED PIPING SYSTEM).
5. MINIMUM 1/2" BEAD HILTI FS-ONE MAX OR FS-ONE INTUMESCENT FIRESTOP SEALANT APPLIED OVER ANNULAR SPACE, FLUSH WITH TOP SURFACE OF FLOOR OR SOLE PLATE.
6. MINIMUM 1/2" DEPTH HILTI FS-ONE MAX OR FS-ONE INTUMESCENT FIRESTOP SEALANT FLUSH WITH BOTTOM SURFACE OF LOWER TOP PLATE.
7. HILTI CP 648E WRAP STRIP (NOMINAL 3/16" THICK x 1-3/4" WIDE) TWO WRAPS WRAPPED AROUND PIPE IN A U-SHAPED MANNER WITH ENDS TIGHTLY BUTTED TO CHASE WALL STUD. WRAP STRIP TO BE BUTTED TIGHT TO UNDERSIDE OF LOWER TOP PLATE.
8. HILTI 1-3/4" RETAINING COLLAR TIGHTLY WRAPPED OVER WRAP STRIP, OVERLAPPING MINIMUM 1" ONTO CHASE WALL STUDS AT BOTH ENDS AND SECURED TO STUD WITH MINIMUM 1/4" DIAMETER BY 1-1/2" LONG STEEL WOOD SCREWS WITH MINIMUM 3/4" DIAMETER STEEL WASHERS. A MINIMUM OF TWO ANCHOR TABS TO BE SECURED TO TOP PLATE OPPOSITE THE STUD WITH MINIMUM 1/4" DIAMETER BY 1-1/2" LONG STEEL WOOD SCREWS WITH MINIMUM 3/4" DIAMETER STEEL WASHERS.

NOTES : 1. DIAMETER OF OPENING SHALL BE 1/8" LARGER THAN THE OUTSIDE DIAMETER OF THE PIPE.
2. ANNULAR SPACE = NOMINAL 1/16".
3. PIPE TO BE LOCATED A MINIMUM 1/16" FROM CHASE WALL STUD.



Hilti Firestop Systems

HILTI, Inc.
Tulsa, Oklahoma USA (800) 879-8000

Sheet	1 of 1
Scale	7/64" = 1"
Date	Jan. 07, 2015

Drawing No.

**FC
2401b**

Saving Lives through Innovation and Education