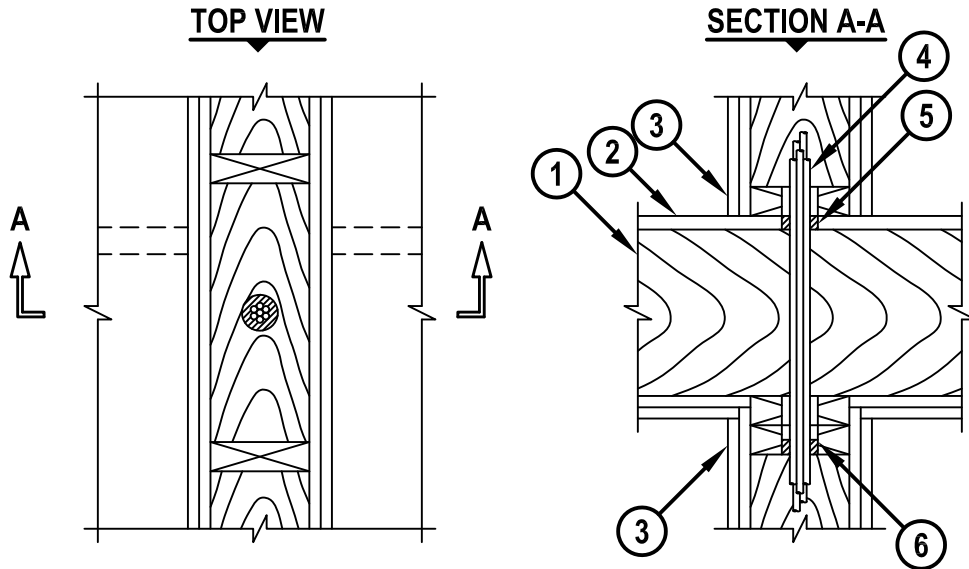


CABLE/CABLE BUNDLE THROUGH WOOD FLOOR/CEILING ASSEMBLY

F-RATING = 1-HR. OR 2-HR.

T-RATING = 0-HR., 1-HR., OR 1-3/4-HR.

FC3012r.040518



1. WOOD FLOOR/CEILING ASSEMBLY (UL/cUL CLASSIFIED L500 SERIES) (1-HR. OR 2-HR. FIRE-RATING) (2-HR. SHOWN).
2. LUMBER OR PLYWOOD SUBFLOOR WITH FINISH FLOOR OF LUMBER, PLYWOOD, OR FLOOR TOPPING MIXTURE.
3. [OPTIONAL] FIRE-RATED OR NON-RATED SINGLE, DOUBLE, OR STAGGERED WOOD STUD/GYPSUM CHASE WALL CONSISTING OF NOMINAL 2" x 6", OR PARALLEL 2" x 4" LUMBER PLATES AND STUDS.
4. CABLE BUNDLE MAY CONSIST OF ANY OF THE FOLLOWING :
 - A. RG 59 COAXIAL CABLE WITH PVC JACKET.
 - B. MAXIMUM 8/C NO. 22 AWG TELEPHONE CABLE WITH PVC JACKET.
 - C. MAXIMUM 2/C NO. 12 AWG CABLE WITH PVC JACKET.
 - D. MAXIMUM 3/C (+GROUND) 2/0 AWG SER CABLE (ALUMINUM OR COPPER) WITH PVC JACKET.
 - E. MAXIMUM 3/C (+GROUND) NO. 2/0 AWG TYPE NM CABLE WITH PVC JACKET.
 - F. MAXIMUM 3/C NO. 12 METAL-CLAD (BX) CABLE.
 - G. MAXIMUM 1" DIAMETER METAL-CLAD TEK CABLE WITH PVC JACKET.
 - H. ANY CABLES, METAL-CLAD CABLES, OR ARMORED CABLES CURRENTLY LISTED UNDER THE THROUGH PENETRATING PRODUCTS CATEGORY.
 - I. MAXIMUM 4/C (+GRND) NO. 300 KCMIL ALUMINUM SER CABLE.
5. MINIMUM 3/4" DEPTH HILTI FS-ONE MAX INTUMESCENT FIRESTOP SEALANT FLUSH WITH TOP SURFACE OF FLOOR OR SOLE PLATE OF CHASE WALL.
6. MINIMUM 5/8" DEPTH HILTI FS-ONE MAX INTUMESCENT FIRESTOP SEALANT FLUSH WITH BOTTOM SURFACE OF CEILING OR LOWER TOP PLATE.

NOTES : 1. MAXIMUM DIAMETER OF OPENING FOR 1-HR. OR 2-HR. FIRE-RATED ASSEMBLY IS 2-1/2" OR 2", RESPECTIVELY.
 2. CABLES TO FILL MAXIMUM 45% OF CROSS-SECTIONAL AREA OF OPENING.



HILTI, Inc.
 Plano, Texas USA (800) 879-8000

Sheet	1 of 1
Scale	3/32" = 1"
Date	Apr. 05, 2018

Drawing No.
FC 3012r