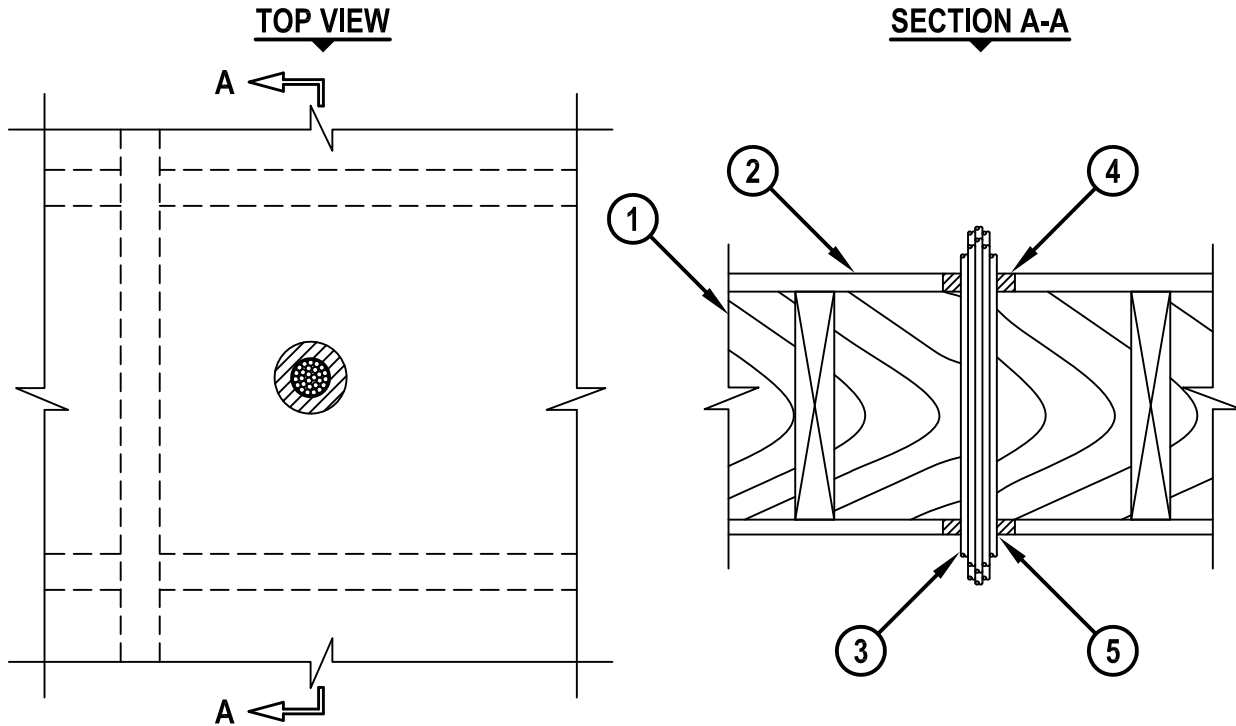


**CABLE BUNDLE THROUGH WOOD FLOOR/CEILING ASSEMBLY**

F-RATING = 1-HR.

T-RATING = 1-HR.

FC3044e.010715



1. WOOD FLOOR/CEILING ASSEMBLY (UL/cUL CLASSIFIED L500 SERIES) (1-HR. FIRE-RATING).
2. LUMBER OR PLYWOOD SUBFLOOR WITH FINISH FLOOR OF LUMBER, PLYWOOD, OR FLOOR TOPPING MIXTURE.
3. CABLE BUNDLE TO CONSIST OF ANY OF THE FOLLOWING :
  - A. RG 59 COAXIAL CABLE.
  - B. MAXIMUM 25 PAIR NO. 24 AWG TELEPHONE CABLE.
  - C. MAXIMUM 3/C NO. 10 AWG CABLE (ROMEX).
  - D. MAXIMUM 3/C (+ GRND) 2/0 AWG SER CABLE (ALUMINUM OR COPPER).
  - E. MAXIMUM 3/C NO. 10 AWG METAL-CLAD CABLE.
  - F. MAXIMUM 24 FIBER-OPTIC CABLE.
4. MINIMUM 3/4" DEPTH HILTI FS-ONE MAX OR FS-ONE INTUMESCENT FIRESTOP SEALANT FLUSH WITH TOP SURFACE OF FLOOR OR SOLE PLATE.
5. MINIMUM 5/8" DEPTH HILTI FS-ONE MAX OR FS-ONE INTUMESCENT FIRESTOP SEALANT FLUSH WITH BOTTOM SURFACE OF CEILING OR LOWER TOP PLATE.

**NOTES :** 1. MAXIMUM DIAMETER OF OPENING = 3".  
 2. ANNULAR SPACE = 3/4".  
 3. CABLES TO FILL A MAXIMUM 25% OF CROSS-SECTIONAL AREA OF OPENING.  
 4. CHASE WALL (NOT SHOWN, OPTIONAL) THE THROUGH PENETRANT MAY BE ROUTED THROUGH A 1-HR. FIRE-RATED GYPSUM CHASE WALL.



HILTI, Inc.  
 Tulsa, Oklahoma USA (800) 879-8000

Sheet	1 of 1
Scale	1/8" = 1"
Date	Jan. 07, 2015

Drawing No.  
**FC 3044e**