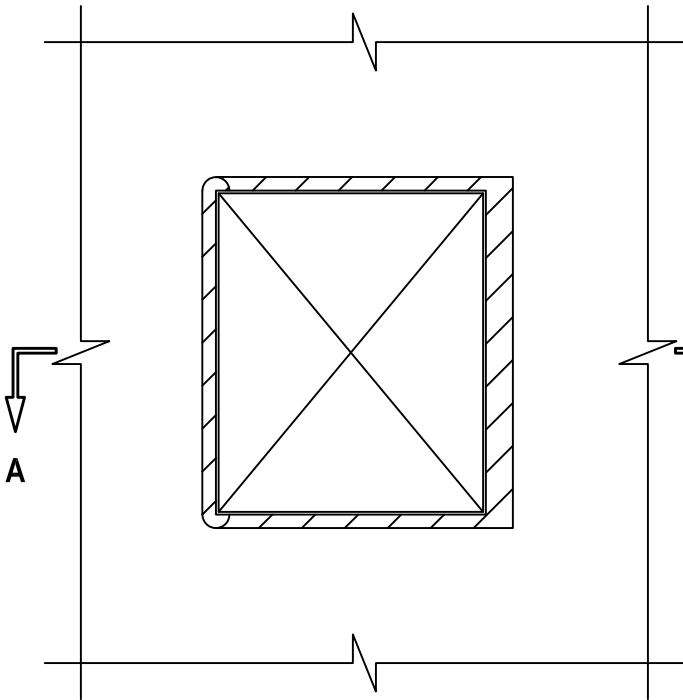


SHEET METAL DUCT THROUGH WOOD FLOOR/CEILING ASSEMBLY

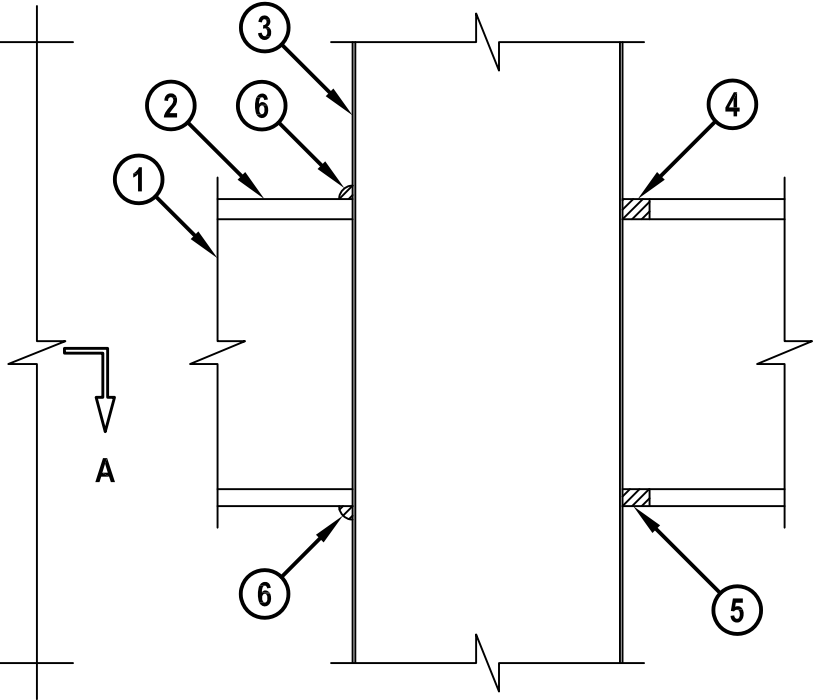
F-RATING = 1-HR.
T-RATING = 1/4-HR.

FC7043c.020718

BOTTOM VIEW



SECTION A-A



1. WOOD FLOOR/CEILING ASSEMBLY (UL/cUL CLASSIFIED L500 SERIES) (1-HR. FIRE-RATING).
2. LUMBER OR PLYWOOD SUBFLOOR WITH FINISH FLOOR OF LUMBER, PLYWOOD, OR FLOOR TOPPING MIXTURE.
3. MAXIMUM 12" x 10" RECTANGULAR SHEET METAL DUCT (MIN. 28 GA.).
4. MINIMUM 3/4" DEPTH HILTI CP 606 FLEXIBLE FIRESTOP SEALANT OR HILTI FS-ONE MAX INTUMESCENT FIRESTOP SEALANT.
5. MINIMUM 5/8" DEPTH HILTI CP 606 FLEXIBLE FIRESTOP SEALANT OR HILTI FS-ONE MAX INTUMESCENT FIRESTOP SEALANT.
6. MINIMUM 1/2" BEAD HILTI CP 606 FLEXIBLE FIRESTOP SEALANT OR HILTI FS-ONE MAX INTUMESCENT FIRESTOP SEALANT APPLIED AT POINT OF CONTACT.

NOTES : 1. MAXIMUM SIZE OF OPENING = 13" x 11".
2. ANNULAR SPACE = MINIMUM 0", MAXIMUM 1".



HILTI, Inc.
Plano, Texas USA (800) 879-8000

Sheet	1 of 1
Scale	9/64" = 1"
Date	Feb. 07, 2018

Drawing No.
**FC
7043c**