

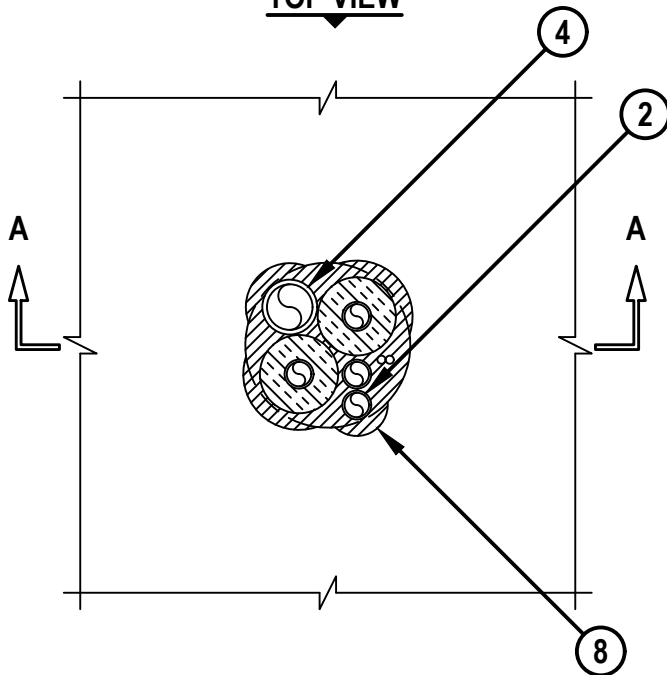
MULTIPLE HVAC LINE SET THROUGH WOOD FLOOR/CEILING ASSEMBLY

F-RATING = 1-HR.

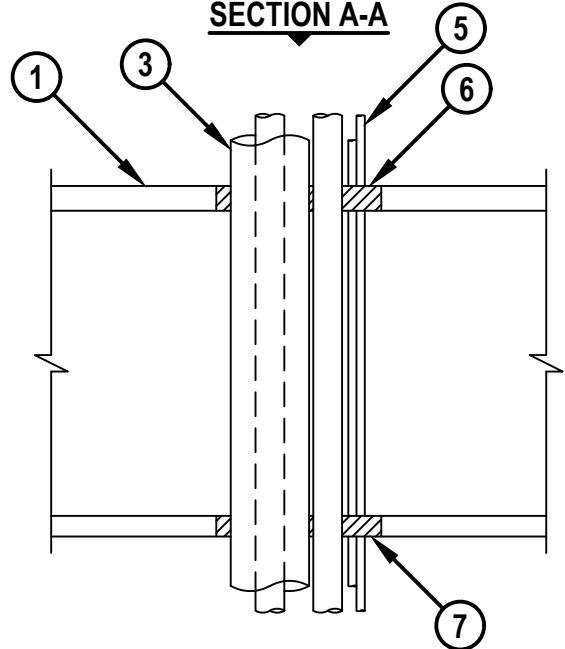
T-RATING = 1-HR.

NOTE : TESTED WITH A 2.5 Pa PRESSURE DIFFERENTIAL

TOP VIEW



SECTION A-A



FC8026c.032823

1. WOOD FLOOR/CEILING ASSEMBLY (UL/cUL CLASSIFIED L500 SERIES) (1-HR. FIRE-RATING).
2. PENETRATING METALLIC ITEMS TO BE ANY OF THE FOLLOWING (ONE OR MORE) :
 - A. MAXIMUM 3/4" NOMINAL DIAMETER STEEL PIPE (SCHEDULE 10 OR HEAVIER).
 - B. MAXIMUM 3/4" NOMINAL DIAMETER COPPER PIPE.
3. NOMINAL 3/4" THICK AB/PVC PIPE INSULATION INSTALLED ON ONE OR MORE METALLIC PIPES.
4. PENETRATING NONMETALLIC ITEMS TO BE ONE OF THE FOLLOWING (SEE NOTE NO. 3 BELOW) :
 - A. MAXIMUM 1-1/4" NOMINAL DIAMETER PVC PLASTIC PIPE (CELLULAR OR SOLID CORE).
 - B. MAXIMUM 1-1/4" NOMINAL DIAMETER CPVC PLASTIC PIPE (CLOSED PIPING SYSTEM ONLY).
5. MAXIMUM 4-PAIR NO. 18 AWG THERMOSTAT CABLE WITH PVC JACKET (MAX. QTY. = 2).
6. MINIMUM 3/4" DEPTH HILTI FS-ONE MAX INTUMESCENT FIRESTOP SEALANT.
7. MINIMUM 5/8" DEPTH HILTI FS-ONE MAX INTUMESCENT FIRESTOP SEALANT.
8. MINIMUM 1/4" BEAD HILTI FS-ONE MAX INTUMESCENT FIRESTOP SEALANT APPLIED AT POINT OF CONTACT.

NOTES : 1. MAXIMUM DIAMETER OF OPENING = 5".
 2. ANNULAR SPACE = MINIMUM 0", MAXIMUM 1".
 3. NONMETALLIC PIPE SHALL BE SPACED MINIMUM 1-1/2" FROM NON-INSULATED THROUGH PENETRANTS.
 4. CLOSED OR VENTED PIPING SYSTEM (PVC = SCHEDULE 40; CPVC = SDR 13.5).
 5. [NOT SHOWN, OPTIONAL] CHASE WALL - THE THROUGH PENETRANT MAY BE ROUTED THROUGH A 1-HR. FIRE-RATED GYPSUM CHASE WALL ASSEMBLY.



HILTI, Inc.
 Plano, Texas USA (800) 879-8000

Sheet	1 of 1
Scale	11/64" = 1"
Date	Mar. 28, 2023

Drawing No.
FC 8026c