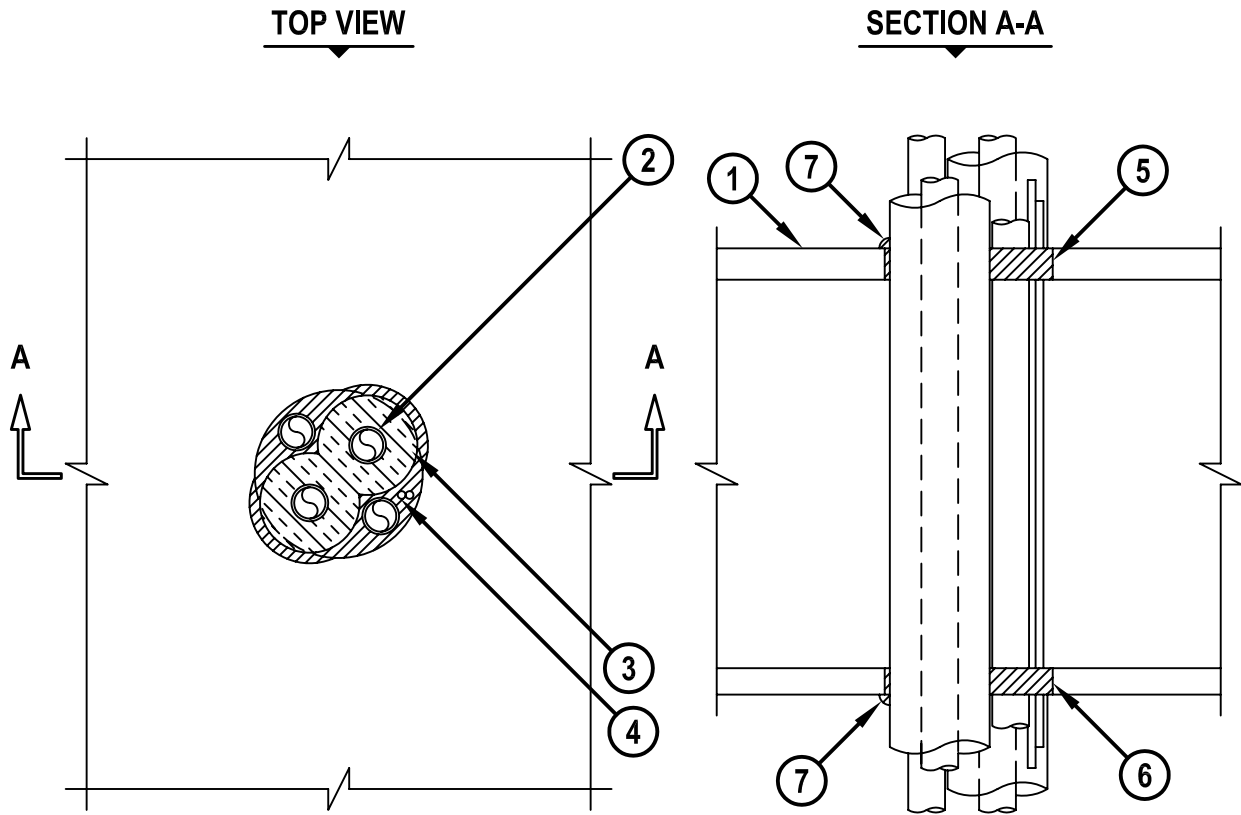


**MULTIPLE HVAC LINE SET THROUGH WOOD/FLOOR CEILING ASSEMBLY**

F-RATING = 1-HR.  
T-RATING = 1/4-HR.

FC8032c.102704



1. WOOD FLOOR/CEILING ASSEMBLY (UL/cUL CLASSIFIED L500 SERIES) (1-HR. FIRE-RATING).
2. PENETRATING METALLIC ITEMS TO BE ANY OF THE FOLLOWING (ONE OR MORE):
  - A. MAXIMUM 3/4" NOMINAL DIAMETER STEEL PIPE (SCHEDULE 10 OR HEAVIER).
  - B. MAXIMUM 3/4" NOMINAL DIAMETER COPPER PIPE OR TUBING.
3. NOMINAL 3/4" THICK AB/PVC PIPE INSULATION INSTALLED ON ONE OR MORE METALLIC PIPES.
4. MAXIMUM 4-PAIR NO. 18 AWG THERMOSTAT CABLE WITH PVC JACKET (MAXIMUM QUANTITY = 2).
5. MINIMUM 3/4" DEPTH HILTI CP 606 FLEXIBLE FIRESTOP SEALANT.
6. MINIMUM 5/8" DEPTH HILTI CP 606 FLEXIBLE FIRESTOP SEALANT.
7. MINIMUM 1/2" BEAD HILTI CP 606 FLEXIBLE FIRESTOP SEALANT APPLIED AT POINT OF CONTACT.

NOTES : 1. MAXIMUM DIAMETER OF OPENING = 4".  
 2. ANNULAR SPACE = MINIMUM 0", MAXIMUM 1".  
 3. CHASE WALL (NOT SHOWN). (OPTIONAL). THE THROUGH PENETRANT MAY BE ROUTED THROUGH A 1-HR. FIRE-RATED GYPSUM CHASE WALL ASSEMBLY.



HILTI, Inc.  
Tulsa, Oklahoma USA (918) 252-6000

Sheet	1 of 1
Scale	7/32" = 1"
Date	Oct. 27, 2004

Drawing No.  
**FC 8032c**