

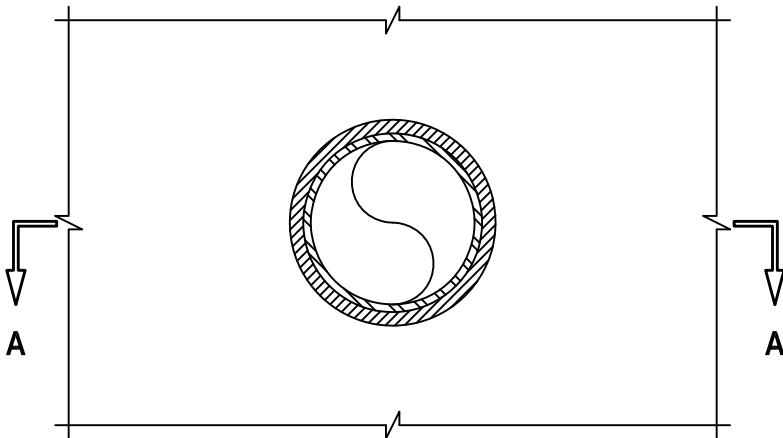
METAL PIPE THROUGH CONCRETE FLOOR/CEILING ASSEMBLY

F-RATING = 1-HR.

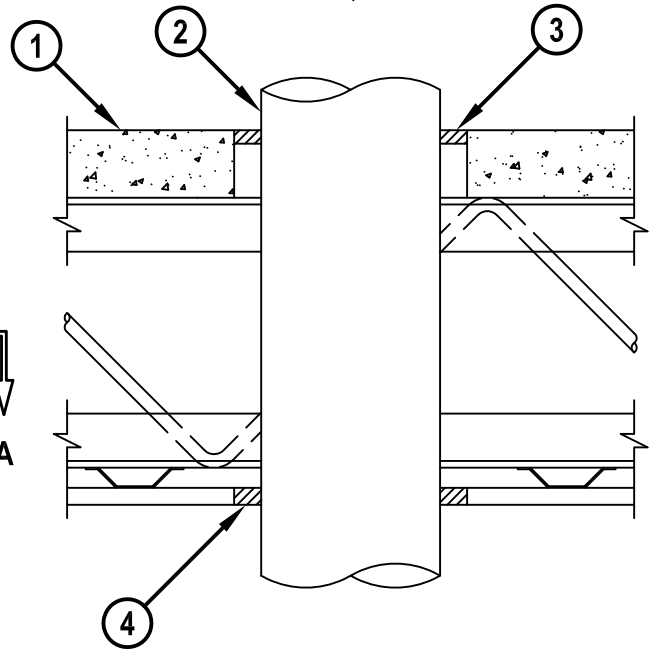
T-RATING = 0-HR.

FE1004c.010815

BOTTOM VIEW



SECTION A-A



1. CONCRETE AND STEEL JOIST FLOOR/CEILING ASSEMBLY (UL/cUL CLASSIFIED G500 SERIES) (1-HR. FIRE-RATING).
2. PENETRATING ITEM TO BE ONE OF THE FOLLOWING :
 - A. MAXIMUM 6" NOMINAL DIAMETER STEEL PIPE (SCHEDULE 40 OR HEAVIER).
 - B. MAXIMUM 6" NOMINAL DIAMETER CAST IRON PIPE.
 - C. MAXIMUM 4" NOMINAL DIAMETER COPPER PIPE OR TUBING.
 - D. MAXIMUM 6" NOMINAL DIAMETER STEEL CONDUIT.
 - E. MAXIMUM 4" NOMINAL DIAMETER EMT.
3. MINIMUM 1/2" DEPTH HILTI FS-ONE MAX OR FS-ONE INTUMESCENT FIRESTOP SEALANT.
4. MINIMUM 5/8" DEPTH HILTI FS-ONE MAX OR FS-ONE INTUMESCENT FIRESTOP SEALANT.

NOTES : 1. DIAMETER OF OPENING TO BE MAXIMUM 1" LARGER THAN OUTSIDE DIAMETER OF METAL PIPE.
 2. ANNULAR SPACE = MINIMUM 1/4", MAXIMUM 3/4".



HILTI, Inc.
 Tulsa, Oklahoma USA (800) 879-8000

Sheet	1 of 1
Scale	9/64" = 1"
Date	Jan. 08, 2015

Drawing No.
**FE
 1004c**