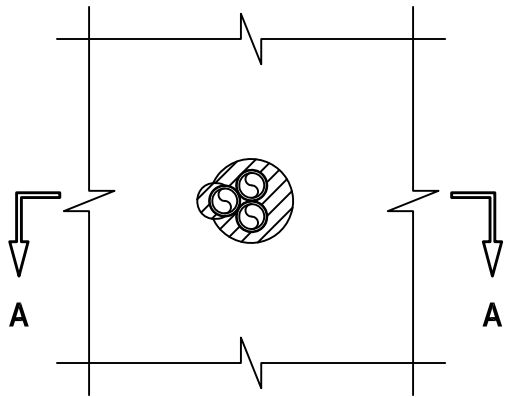


FLEXIBLE STEEL CONDUIT THROUGH CONCRETE FLOOR/CEILING ASSEMBLY

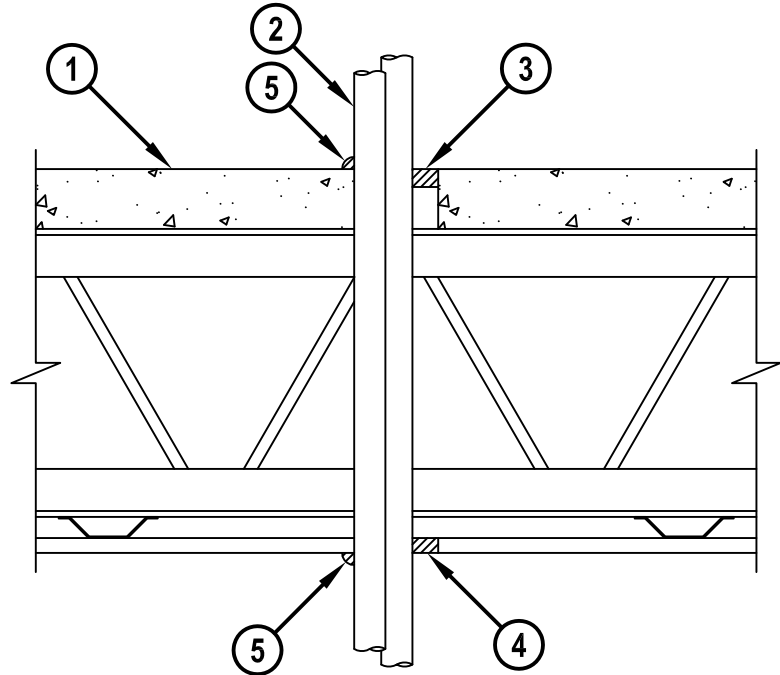
F-RATING = 1-HR.
T-RATING = 1-HR.

FE1018c.051816

BOTTOM VIEW



SECTION A-A



1. CONCRETE AND STEEL JOIST FLOOR/CEILING ASSEMBLY (UL/cUL CLASSIFIED G500 SERIES) (1-HR. FIRE-RATING).
2. PENETRATING ITEMS TO BE ANY OF THE FOLLOWING (MAX. QTY. = 3) :
 - A. MAXIMUM 1" NOMINAL DIAMETER FLEXIBLE STEEL CONDUIT.
 - B. MAXIMUM 1" NOMINAL DIAMETER FLEXIBLE STEEL GAS PIPING (WITH OR WITHOUT PLASTIC COVERING) MANUFACTURED BY OMEGA FLEX INC., TITEFLEX CORP., OR WARD MFG. INC.
3. MINIMUM 3/4" DEPTH HILTI CP 606 FLEXIBLE FIRESTOP SEALANT OR HILTI FS-ONE MAX INTUMESCENT FIRESTOP SEALANT.
4. MINIMUM 5/8" DEPTH HILTI CP 606 FLEXIBLE FIRESTOP SEALANT OR HILTI FS-ONE MAX INTUMESCENT FIRESTOP SEALANT.
5. MINIMUM 1/2" BEAD HILTI CP 606 FLEXIBLE FIRESTOP SEALANT OR HILTI FS-ONE MAX INTUMESCENT FIRESTOP SEALANT.

NOTES : 1. MAXIMUM DIAMETER OF OPENING = 3-1/2".
2. ANNULAR SPACE = MINIMUM 0", MAXIMUM 1-1/4".



HILTI, Inc.
Plano, Texas USA (800) 879-8000

Sheet	1 of 1
Scale	1/8" = 1"
Date	May 18, 2016

Drawing No.
FE 1018b