

UL SYSTEM NO. F-E-2005

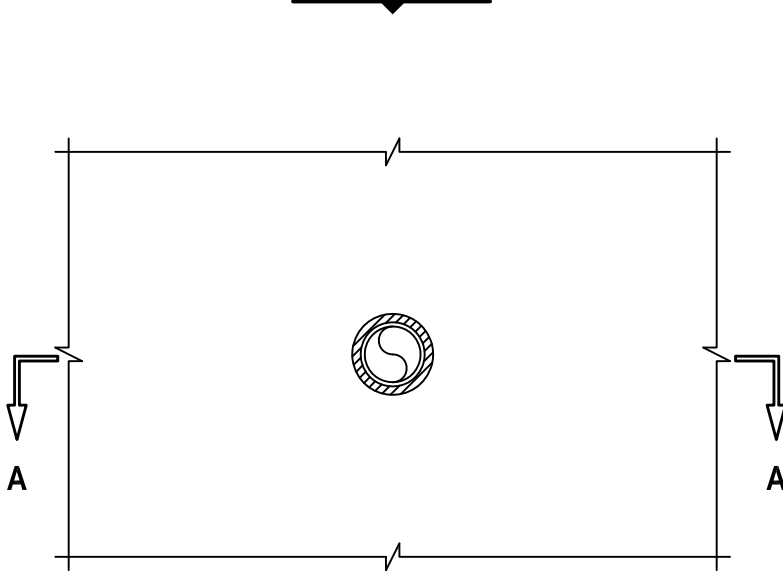
**PLASTIC PIPE THROUGH CONCRETE FLOOR/CEILING ASSEMBLY**

F-RATING = 1-HR.

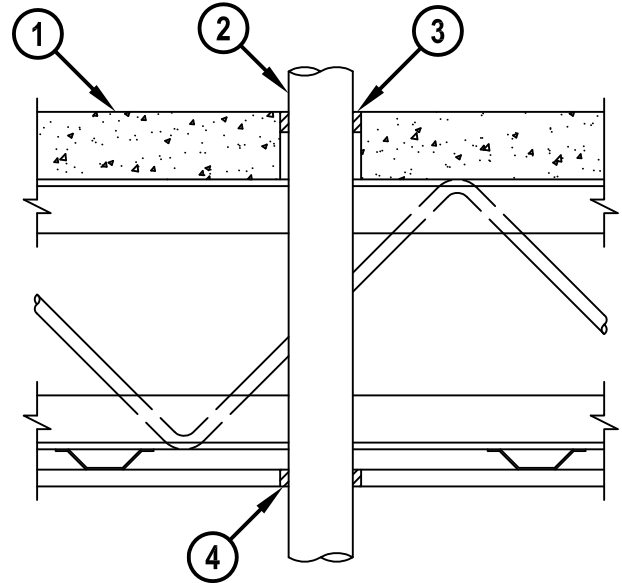
T-RATING = 1-HR.

FE2005d.010815

**BOTTOM VIEW**



**SECTION A-A**



1. CONCRETE AND STEEL JOIST FLOOR/CEILING ASSEMBLY (UL CLASSIFIED G500 SERIES) (1-HR. FIRE-RATING).
2. PENETRATING ITEM TO BE ONE OF THE FOLLOWING :
  - A. MAXIMUM 2" NOMINAL DIAMETER PVC PLASTIC PIPE (SCHEDULE 40) (CELLULAR OR SOLID CORE) (CLOSED OR VENTED PIPING SYSTEM).
  - B. MAXIMUM 2" NOMINAL DIAMETER CPVC PLASTIC PIPE (SDR 13.5) (CLOSED OR VENTED PIPING SYSTEM).
3. MINIMUM 3/4" DEPTH HILTI FS-ONE MAX OR FS-ONE INTUMESCENT FIRESTOP SEALANT.
4. MINIMUM 5/8" DEPTH HILTI FS-ONE MAX OR FS-ONE INTUMESCENT FIRESTOP SEALANT.

**NOTES :** 1. DIAMETER OF OPENING TO BE MAXIMUM 1-5/8" LARGER THAN OUTSIDE DIAMETER OF PLASTIC PIPE.  
2. ANNULAR SPACE = MINIMUM 1/2", MAXIMUM 1-1/8".



HILTI, Inc.  
Tulsa, Oklahoma USA (800) 879-8000

Sheet	1 of 1
Scale	9/64" = 1"
Date	Jan. 08, 2015

Drawing No.  
**FE  
2005d**