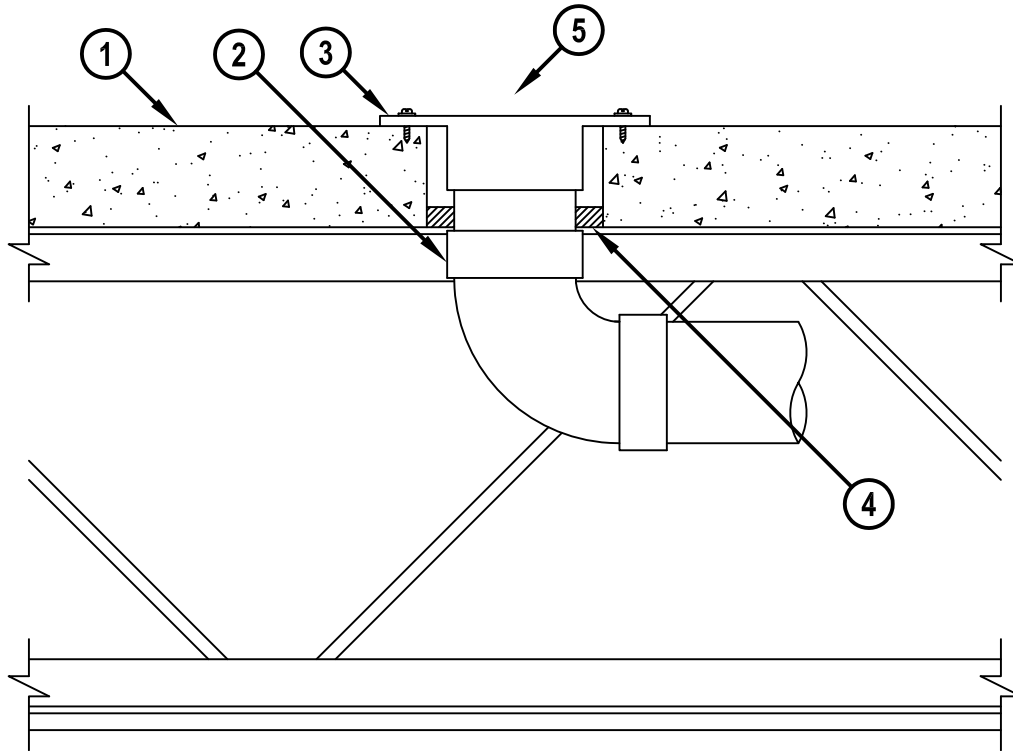


UL SYSTEM NO. F-E-2026
CLOSET FLANGE THROUGH CONCRETE FLOOR/CEILING ASSEMBLY

F-RATING = 1-HR.
T-RATING = 1/2-HR.

CROSS-SECTIONAL VIEW



FE2026c.010815

1. CONCRETE AND STEEL JOIST FLOOR/CEILING ASSEMBLY (UL CLASSIFIED G500 SERIES) (1-HR. FIRE-RATING).
2. DRAIN PIPING AND 90° ELBOW TO BE ONE OF THE FOLLOWING :
 - A. NOMINAL 4" DIAMETER PVC PLASTIC PIPE (SCHEDULE 40) (CELLULAR OR SOLID CORE).
 - B. NOMINAL 4" DIAMETER ABS PLASTIC PIPE (SCHEDULE 40) (CELLULAR OR SOLID CORE).
3. PVC OR ABS CLOSET FLANGE SIZED TO ACCOMMODATE DRAIN PIPE. CLOSET FLANGE SECURED TO CONCRETE FLOOR WITH STEEL CONCRETE SCREWS.
4. MINIMUM 3/4" DEPTH HILTI FS-ONE MAX OR FS-ONE INTUMESCENT FIRESTOP SEALANT FLUSH WITH BOTTOM SURFACE OF CONCRETE FLOOR.
5. [NOT SHOWN] FLOOR MOUNTED VITREOUS CHINA WATER CLOSET.

NOTES : 1. DIAMETER OF OPENING TO BE MAXIMUM 1/2" LARGER THAN OUTSIDE DIAMETER OF CLOSET FLANGE.
2. ANNULAR SPACE = NOMINAL 1/4".



HILTI, Inc.
Tulsa, Oklahoma USA (800) 879-8000

Sheet	1 of 1
Scale	9/64" = 1"
Date	Jan. 08, 2015

Drawing No.
**FE
2026c**

Saving Lives through Innovation and Education