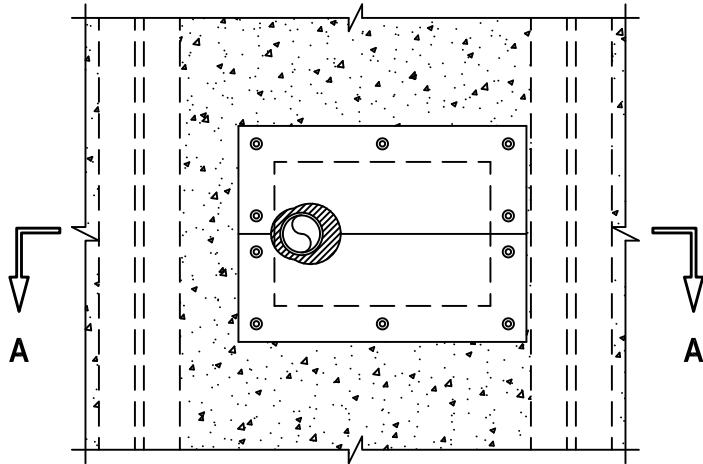


PLASTIC TUB FITTINGS THROUGH CONCRETE FLOOR/CEILING ASSEMBLY

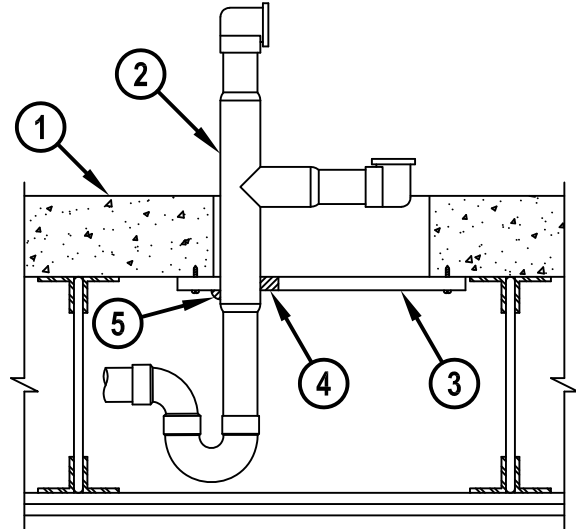
F-RATING = 1-HR.
T-RATING = 1/2-HR.

FE2028c.041818

BOTTOM VIEW



SECTION A-A



1. CONCRETE AND STEEL JOIST FLOOR/CEILING ASSEMBLY (UL CLASSIFIED G500 SERIES) (1-HR. FIRE-RATING).
2. MAXIMUM 1-1/2" NOMINAL DIAMETER PVC OR ABS PLASTIC PIPE (SCHEDULE 40) AND DRAIN FITTINGS CEMENTED TOGETHER WITH PVC OR ABS BATHTUB WASTE/OVERFLOW FITTINGS.
3. MINIMUM 5/8" THICK WATER RESISTANT GYPSUM BOARD PATCH, SIZED TO OVERLAP MINIMUM 2" BEYOND EACH EDGE OF RECTANGULAR OPENING. TWO PIECES POSITIONED AROUND DRAIN PIPING, WITH CUT EDGES TIGHTLY BUTTED, AND ATTACHED TO UNDERSIDE OF CONCRETE FLOOR WITH MINIMUM 3/16"x 1-3/4" LONG STEEL CONCRETE SCREWS, WITH 1" DIAMETER STEEL WASHERS ON EACH SIDE OF SPLIT AND MAXIMUM 6" O.C. AROUND PERIMETER OF PATCH (SEE NOTE NO. 4 BELOW).
4. MINIMUM 5/8" DEPTH HILTI FS-ONE MAX INTUMESCENT FIRESTOP SEALANT.
5. MINIMUM 1/2" BEAD HILTI FS-ONE MAX INTUMESCENT FIRESTOP SEALANT APPLIED AT POINT OF CONTACT.

NOTES : 1. MAXIMUM SIZE OF OPENING = 12" x 8".
 2. ANNULAR SPACE BETWEEN PIPING AND PATCH = MINIMUM 0", MAXIMUM 1".
 3. OPENING IN PATCH TO BE 1" LARGER THAN OUTSIDE DIAMETER OF BATH TUB DRAIN FITTING.
 4. AS AN ALTERNATE TO WATER RESISTANT GYPSUM BOARD, 5/8" THICK CEMENTITIOUS BACKER BOARD MAY BE USED.
 5. WHEN FLOOR IS FORMED WITH CORRUGATED DECK, FILL EACH CORRUGATION ABOVE PATCH WITH MINIMUM 5/8" THICK FS-ONE MAX INTUMESCENT FIRESTOP SEALANT ALONG SIDE EDGES OF PATCH.



HILTI, Inc.
Plano, Texas USA (800) 879-8000

Sheet	1 of 1
Scale	3/32" = 1"
Date	Apr. 18, 2018

Drawing No.
FE 2028c