

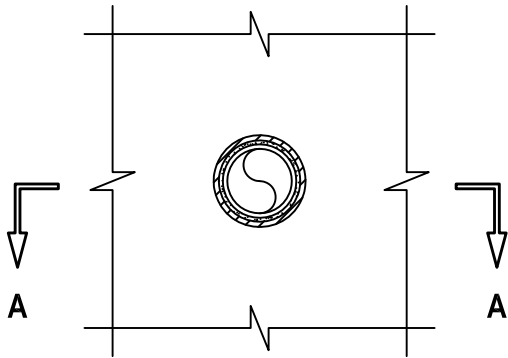
PLASTIC PIPE THROUGH CONCRETE FLOOR/CEILING ASSEMBLY

F-RATING = 1-HR.

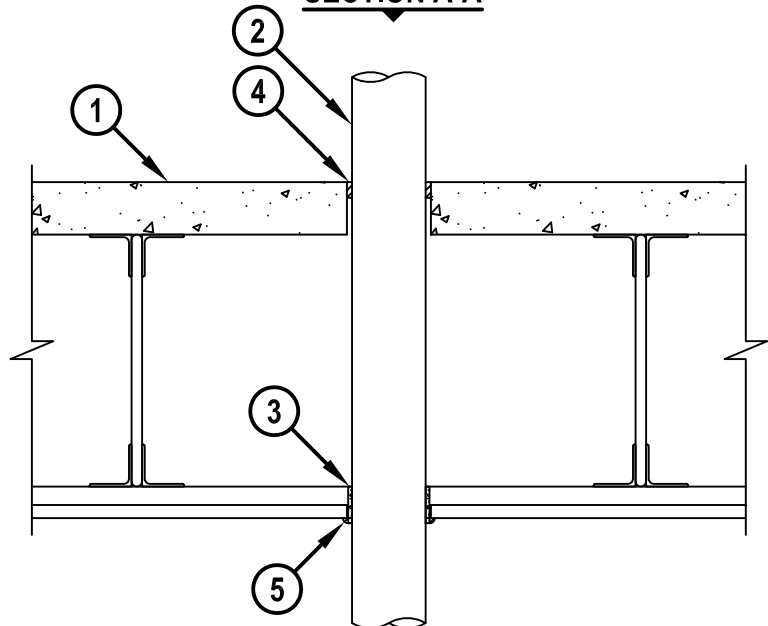
T-RATING = 0-HR. OR 1/2-HR.

FE2029b.010815

BOTTOM VIEW

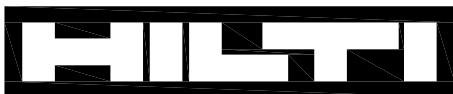


SECTION A-A



1. CONCRETE AND STEEL JOIST FLOOR/CEILING ASSEMBLY (UL CLASSIFIED G500 SERIES) (1-HR. FIRE-RATING).
2. PENETRATING ITEM TO BE ONE OF THE FOLLOWING (SEE NOTE NO. 3 BELOW) :
 - A. MAXIMUM 3" NOMINAL DIAMETER PVC PLASTIC PIPE (CELLULAR OR SOLID CORE).
 - B. MAXIMUM 3" NOMINAL DIAMETER CPVC PLASTIC PIPE.
 - C. MAXIMUM 3" NOMINAL DIAMETER ABS PLASTIC PIPE (CELLULAR OR SOLID CORE).
 - D. MAXIMUM 3" NOMINAL DIAMETER RIGID NONMETALLIC CONDUIT (RNC).
3. HILTI CP 648S WRAP STRIP WRAPPED CONTINUOUSLY AROUND THE CIRCUMFERENCE OF PIPE OR CONDUIT AND SECURED IN PLACE WITH INTEGRATED FASTENING TAPE, SUCH THAT THE WRAP STRIP PROTRUDES 1/4" FROM BOTTOM OF GYPSUM CEILING.
4. MINIMUM 3/4" DEPTH HILTI FS-ONE MAX OR FS-ONE INTUMESCENT FIRESTOP SEALANT.
5. MINIMUM 1/4" BEAD HILTI FS-ONE MAX OR FS-ONE INTUMESCENT FIRESTOP SEALANT APPLIED AT WRAP STRIP/GYPSUM BOARD INTERFACE.

NOTES : 1. MAXIMUM DIAMETER OF OPENING = 4".
 2. ANNULAR SPACE = MINIMUM 3/16", MAXIMUM 5/16".
 3. CLOSED OR VENTED PIPING SYSTEM (PVC, ABS = SCHEDULE 40; CPVC = SDR 13.5).



Hilti Firestop Systems

HILTI, Inc.
 Tulsa, Oklahoma USA (800) 879-8000

Sheet	1 of 1
Scale	7/64" = 1"
Date	Jan. 08, 2015

Drawing No.

**FE
2029b**