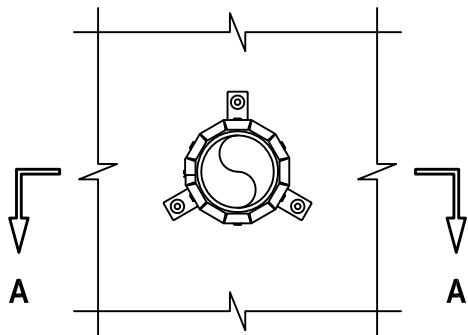


PLASTIC PIPE THROUGH CONCRETE FLOOR/CEILING ASSEMBLY

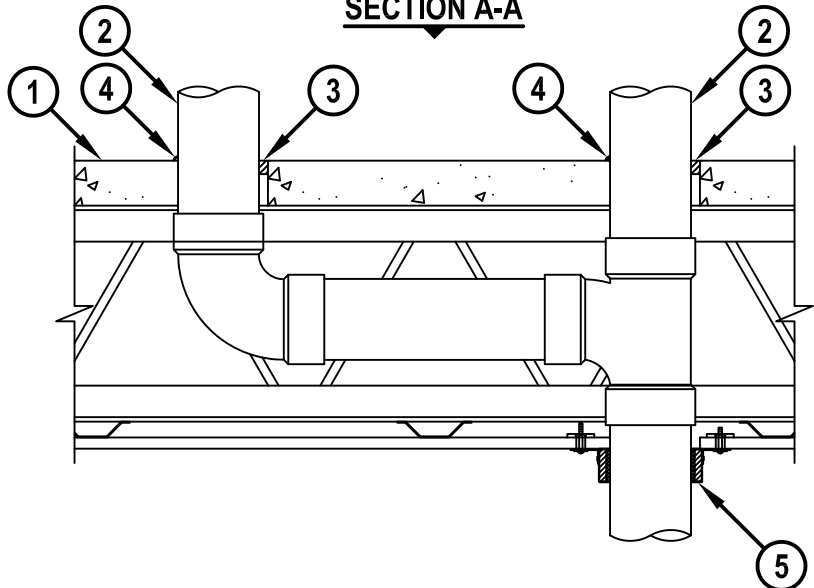
F-RATING = 1-HR.
T-RATING = 1-HR.

FE2033b.010815

BOTTOM VIEW



SECTION A-A



1. CONCRETE AND STEEL JOIST FLOOR/CEILING ASSEMBLY (UL/cUL CLASSIFIED G500 SERIES) (1-HR. FIRE-RATING).
2. PENETRATING ITEM AND [OPTIONAL] BRANCH PIPING TO BE ONE OF THE FOLLOWING :
 - A. MAXIMUM 4" NOMINAL DIAMETER PVC PLASTIC PIPE (CELLULAR OR SOLID CORE).
 - B. MAXIMUM 4" NOMINAL DIAMETER ABS PLASTIC PIPE (CELLULAR OR SOLID CORE).
3. MINIMUM 3/4" DEPTH HILTI FS-ONE MAX OR FS-ONE INTUMESCENT FIRESTOP SEALANT.
4. MINIMUM 1/4" BEAD HILTI FS-ONE MAX OR FS-ONE INTUMESCENT FIRESTOP SEALANT APPLIED AT POINT OF CONTACT.
5. HILTI CP 643N FIRESTOP COLLAR SECURED TO GYPSUM CEILING WITH 1/4" DIAMETER x 1-1/2" LONG TOGGLE BOLTS WITH 3/4" DIAMETER STEEL WASHER.

- NOTES :**
1. MAXIMUM DIAMETER OF OPENING = 5".
 2. DIAMETER OF OPENING THROUGH FLOOR SHALL BE MINIMUM 1/2" TO MAXIMUM 1" LARGER THAN OUTER DIAMETER OF PIPE.
 3. DIAMETER OF OPENING THROUGH GYPSUM CEILING SHALL BE MAXIMUM 1/2" LARGER THAN OUTER DIAMETER OF PIPE.
 4. ANNULAR SPACE = MINIMUM 0", MAXIMUM 1/2".
 5. PIPE MAY BE INSTALLED WITH CONTINUOUS POINT OF CONTACT THROUGH GYPSUM CEILING.
 6. CLOSED OR VENTED PIPING SYSTEM (PVC, ABS = SCHEDULE 40).
 7. BRANCH PIPING MAY TERMINATE IN A MAXIMUM 4" DIAMETER TOILET FLANGE THAT CORRESPONDS TO THE TYPE OF BRANCH PIPING.



HILTI, Inc.
Tulsa, Oklahoma USA (800) 879-8000

Sheet	1 of 1
Scale	3/32" = 1"
Date	Jan. 08, 2015

Drawing No.

**FE
2033b**