

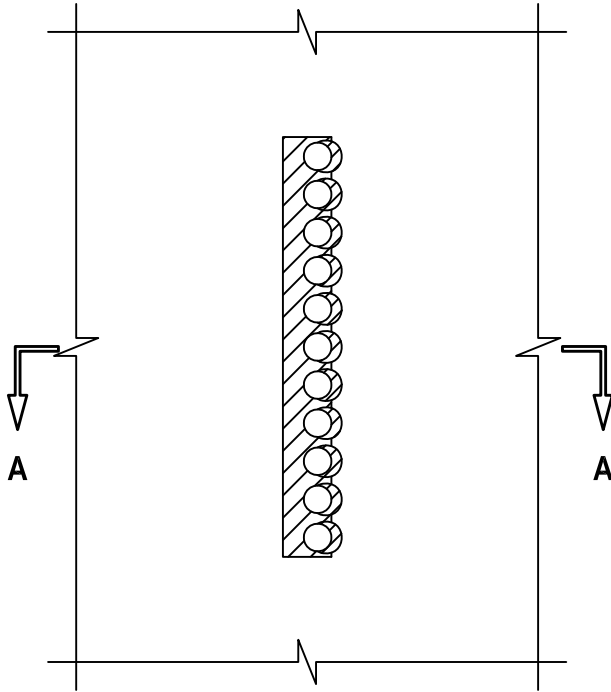
CABLES THROUGH CONCRETE FLOOR/CEILING ASSEMBLY

F-RATING = 1-HR.

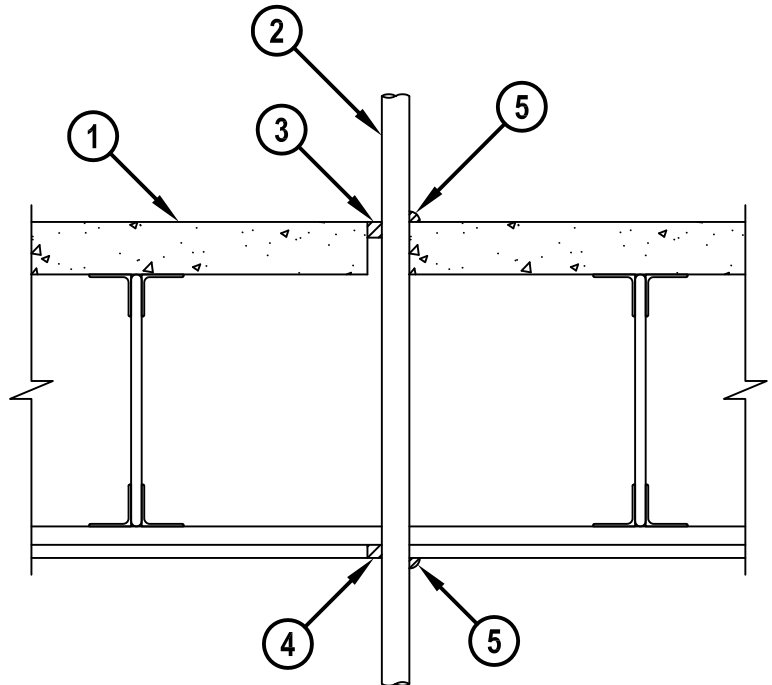
T-RATING = 1-HR.

FE3012b.010815

BOTTOM VIEW



SECTION A-A



1. CONCRETE AND STEEL JOIST FLOOR/CEILING ASSEMBLY (UL/cUL CLASSIFIED G500 SERIES) (1-HR. FIRE-RATING).
2. MAXIMUM 3/C (+GRND) NO 2/0 AWG ALUMINUM CONDUCTOR SER CABLE WITH PVC JACKET (ONE OR MORE).
3. MINIMUM 3/4" DEPTH HILTI FS-ONE MAX OR FS-ONE INTUMESCENT FIRESTOP SEALANT.
4. MINIMUM 5/8" DEPTH HILTI FS-ONE MAX OR FS-ONE INTUMESCENT FIRESTOP SEALANT.
5. MINIMUM 1/2" BEAD HILTI FS-ONE MAX OR FS-ONE INTUMESCENT FIRESTOP SEALANT APPLIED AT POINT OF CONTACT.

NOTES : 1. MAXIMUM SIZE OF OPENING = 20" x 2".
 2. ANNULAR SPACE BETWEEN CABLES AND PERIPHERY OF OPENING = MINIMUM 0", MAXIMUM 1".
 3. ANNULAR SPACE BETWEEN CABLES = MINIMUM 1/4", MAXIMUM 1/2".



HILTI, Inc.
 Tulsa, Oklahoma USA (800) 879-8000

Sheet	1 of 1
Scale	7/64" = 1"
Date	Jan. 08, 2015

Drawing No.
FE 3012b