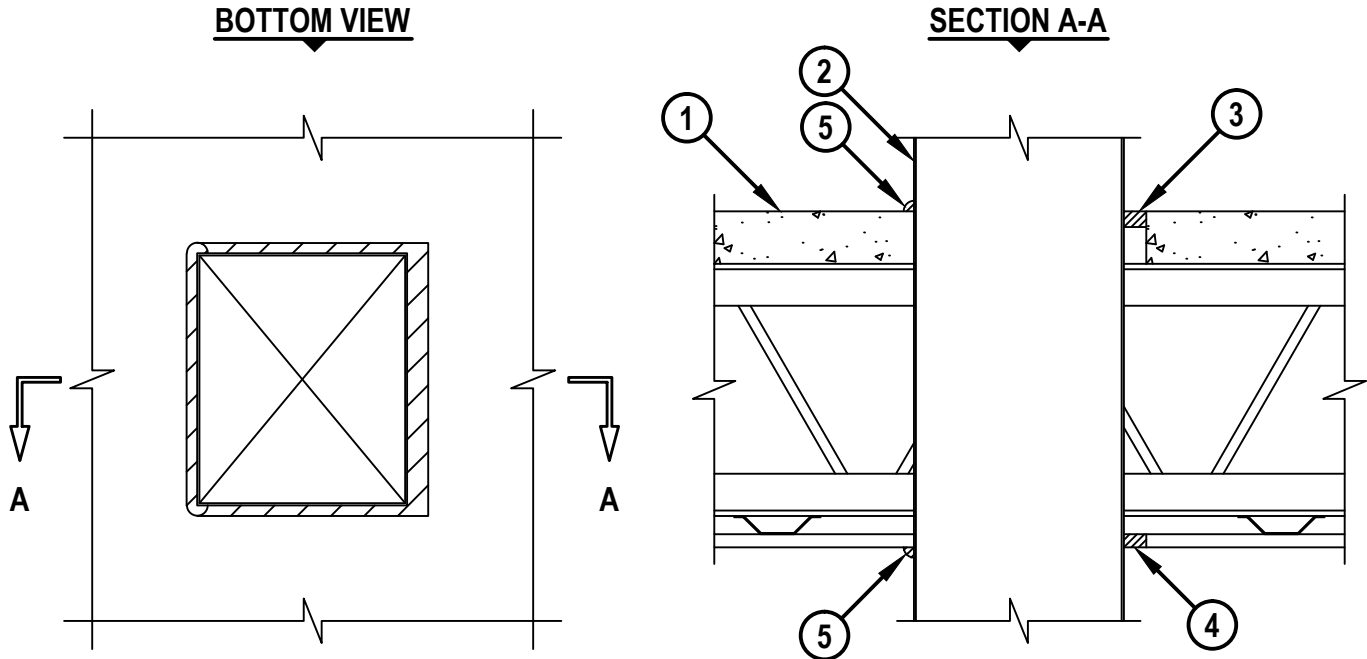


SHEET METAL DUCT THROUGH CONCRETE FLOOR/CEILING ASSEMBLY

F-RATING = 1-HR.
T-RATING = 1/4-HR.

FE7008c.013018



1. CONCRETE AND STEEL JOIST FLOOR/CEILING ASSEMBLY (UL/cUL CLASSIFIED G500 SERIES) (1-HR. FIRE-RATING).
2. PENETRATING ITEM TO CONSIST OF ONE OF THE FOLLOWING :
 - A. MAXIMUM 12" x 10" RECTANGULAR SHEET METAL DUCT (MIN. 28 GA.).
 - B. MAXIMUM 12" x 10" RECTANGULAR SHEET METAL DUCT (MIN. 28 GA.) WITH BW11 COATING MATERIAL (FLAMEBAR BW11 FIRE RATED DUCTWORK BY FIRESPRAY INTERNATIONAL, LTD.).
3. MINIMUM 3/4" DEPTH HILTI CP 606 FLEXIBLE FIRESTOP SEALANT OR HILTI FS-ONE MAX INTUMESCENT FIRESTOP SEALANT.
4. MINIMUM 5/8" DEPTH HILTI CP 606 FLEXIBLE FIRESTOP SEALANT OR HILTI FS-ONE MAX INTUMESCENT FIRESTOP SEALANT.
5. MINIMUM 1/2" BEAD HILTI CP 606 FLEXIBLE FIRESTOP SEALANT OR HILTI FS-ONE MAX INTUMESCENT FIRESTOP SEALANT APPLIED AT POINT OF CONTACT.

NOTES : 1. MAXIMUM SIZE OF OPENING = 13" x 11".
2. ANNULAR SPACE = MINIMUM 0", MAXIMUM 1".



HILTI, Inc.
Plano, Texas USA (800) 879-8000

| | |
|-------|---------------|
| Sheet | 1 of 1 |
| Scale | 7/64" = 1" |
| Date | Jan. 30, 2018 |

Drawing No.
FE 7008c