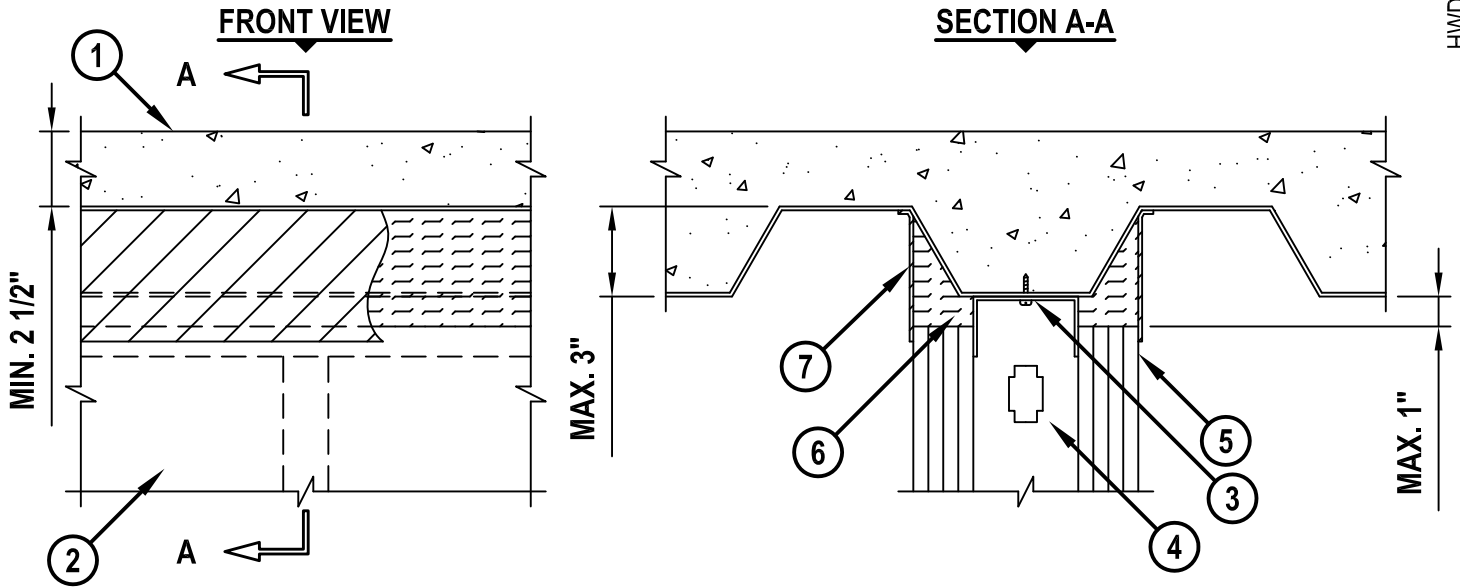


**TOP OF WALL JOINT : GYPSUM WALL ASSEMBLY**

ASSEMBLY RATING = 1, 2, 3, OR 4-HR. (DEPENDING ON RATING OF WALL AND FLOOR ASSEMBLY)  
 CLASS II MOVEMENT CAPABILITIES - 12.5% COMPRESSION OR EXTENSION  
 L-RATING AT AMBIENT = LESS THAN 1 CFM/LIN FT  
 L-RATING AT 400°F = LESS THAN 1 CFM/LIN FT

HWD0295d.062910



1. LIGHTWEIGHT OR NORMAL WEIGHT CONCRETE FLOOR (MINIMUM 2-1/2" THICK) OVER METAL DECKING (1, 2, 3, 4-HR. FIRE-RATING).
2. GYPSUM WALL ASSEMBLY (UL/cUL CLASSIFIED U400 OR V400 SERIES) (1, 2, 3, OR 4-HR. FIRE-RATING).
3. CEILING RUNNER (MINIMUM 25 GA., FLANGE HEIGHT OF CEILING RUNNER SHALL BE MINIMUM 1/4" GREATER THAN MAXIMUM EXTENDED JOINT WIDTH) FASTENED TO UNDERSIDE OF DECK WITH STEEL FASTENERS OR WELDS (SPACED MAX. 24" O.C.) (SEE NOTE NO. 2 BELOW).
4. STEEL STUDS (MINIMUM 3-1/2" WIDE), CUT 1/2" TO 3/4" LESS IN LENGTH THAN ASSEMBLY HEIGHT, NESTING IN CEILING RUNNER WITHOUT ATTACHMENT.
5. GYPSUM BOARD SHEETS INSTALLED TO A MINIMUM TOTAL THICKNESS OF 5/8", 1-1/4", 1-1/2", OR 2" ON EACH SIDE OF WALL FOR 1, 2, 3, OR 4-HR. WALLS, RESPECTIVELY.
6. MINERAL WOOL (MINIMUM 4 PCF DENSITY) COMPRESSED 50%, AND INSERTED INTO JOINT, FLUSH WITH BOTH SIDES OF THE WALL. WIDTH OF MINERAL WOOL TO BE EQUAL TO THE TOTAL THICKNESS OF GYPSUM WALLBOARD.
7. MINIMUM 1/8" (WET) THICKNESS HILTI CFS-SP WB FIRESTOP JOINT SPRAY OR HILTI CP 672 SPEED SPRAY TO COMPLETELY COVER MINERAL WOOL AND TO OVERLAP MINIMUM 1/2" ONTO METAL DECK AND GYPSUM WALL.

**NOTES :** 1. MAXIMUM WIDTH OF JOINT = 1".  
 2. AS AN ALTERNATE TO CEILING RUNNER IN ITEM NO. 3, CEILING RUNNERS, MANUFACTURED BY BRADY CONSTRUCTION INNOVATIONS, INC., DBA SLIPTRACK SYSTEMS, THE STEEL NETWORK, INC., OR CEMCO, MAY BE USED. WHEN ALTERNATE CEILING TRACKS ARE USED, CONSULT THE UL FIRE RESISTANCE DIRECTORY FOR INSTALLATION INSTRUCTIONS.



HILTI, Inc.  
 Tulsa, Oklahoma USA (800) 879-8000

Sheet	1 of 1
Scale	5/32" = 1"
Date	June 29, 2010

Drawing No.  
**HWD  
 0295d**