

UL/cUL SYSTEM NO. HW-D-0324

TOP OF WALL JOINT : GYPSUM WALL ASSEMBLY

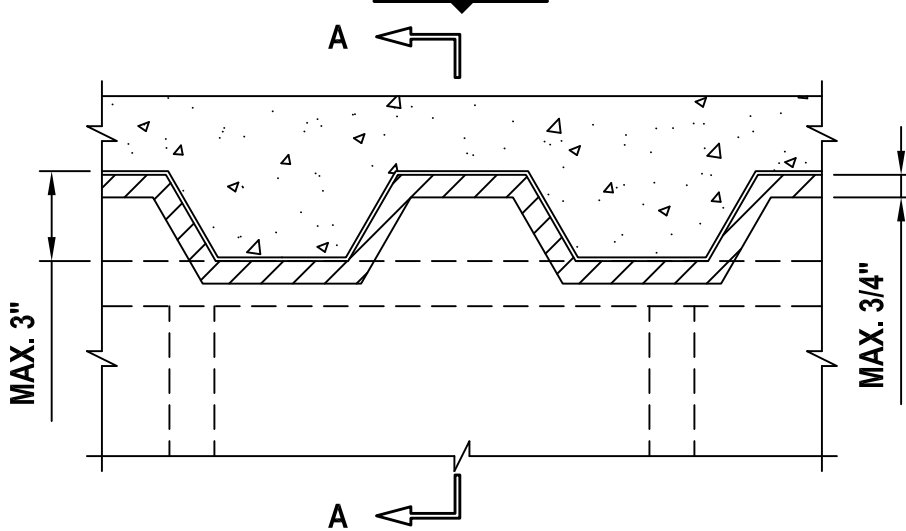
ASSEMBLY RATING = 1-HR. OR 2-HR.

CLASS II MOVEMENT CAPABILITIES - 17% COMPRESSION OR EXTENSION

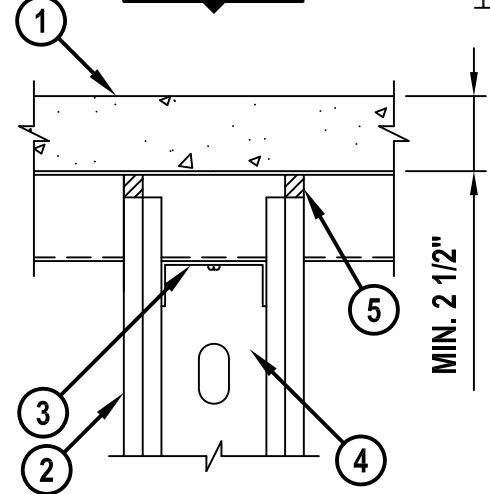
L-RATING AT AMBIENT = LESS THAN 1 CFM/LIN FT

L-RATING AT 400°F = LESS THAN 1 CFM/LIN FT

FRONT VIEW



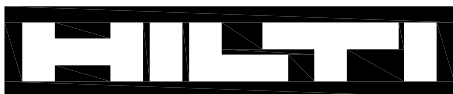
SECTION A-A



HW-D-0324d.030312

1. LIGHTWEIGHT OR NORMAL WEIGHT CONCRETE FLOOR (MINIMUM 2-1/2" THICK) OVER METAL DECKING (UL/cUL CLASSIFIED D700 OR D900 SERIES) (1-HR. OR 2-HR. FIRE-RATING).
2. GYPSUM WALL ASSEMBLY (UL/cUL CLASSIFIED U400, V400, OR W400 SERIES) (1-HR. OR 2-HR. FIRE-RATING) (2-HR. SHOWN).
3. CEILING RUNNER (MIN. 25 GA., FLANGE HEIGHT OF CEILING RUNNER SHALL BE MINIMUM 1/4" GREATER THAN MAXIMUM EXTENDED JOINT WIDTH) FASTENED TO UNDERSIDE OF DECK WITH STEEL FASTENERS OR WELDS (SPACED MAX. 24" O.C.) (SEE NOTE NO. 2 BELOW).
4. STEEL STUDS (MIN. 3-1/2" WIDE), CUT 1/2" TO 3/4" LESS IN LENGTH THAN ASSEMBLY HEIGHT, NESTING IN CEILING RUNNER WITHOUT ATTACHMENT.
5. MINIMUM 5/8" DEPTH HILTI CP 606 FLEXIBLE FIRESTOP SEALANT.

NOTES : 1. STEEL FLOOR UNITS MAY BE SPRAYED WITH A UL CLASSIFIED MONOKOTE TYPE MK-6/HY FIREPROOFING MANUFACTURED BY W.R. GRACE & CO. PRIOR TO THE INSTALLATION OF CEILING RUNNERS.
2. AS AN ALTERNATE TO CEILING RUNNER IN ITEM NO. 3, SLOTTED CEILING RUNNERS MAY BE USED. CONSULT THE UL FIRE RESISTANCE DIRECTORY FOR APPROVED MANUFACTURERS.
3. [OPTIONAL, NOT SHOWN] MINERAL WOOL, FIBERGLASS, OR POLYURETHANE/POLYETHYLENE FOAM BACKER ROD MAY BE USED AS A BACKER IN 2-HR. WALLS.



Hilti Firestop Systems

HILTI, Inc.
Tulsa, Oklahoma USA (800) 879-8000

Sheet	1 of 1
Scale	5/32" = 1"
Date	Mar. 03, 2012

Drawing No.

**HWD
0324d**

Saving Lives through Innovation and Education