

UL/cUL SYSTEM NO. HW-D-0403

**TOP OF WALL JOINT : CONCRETE OR BLOCK WALL ASSEMBLY**

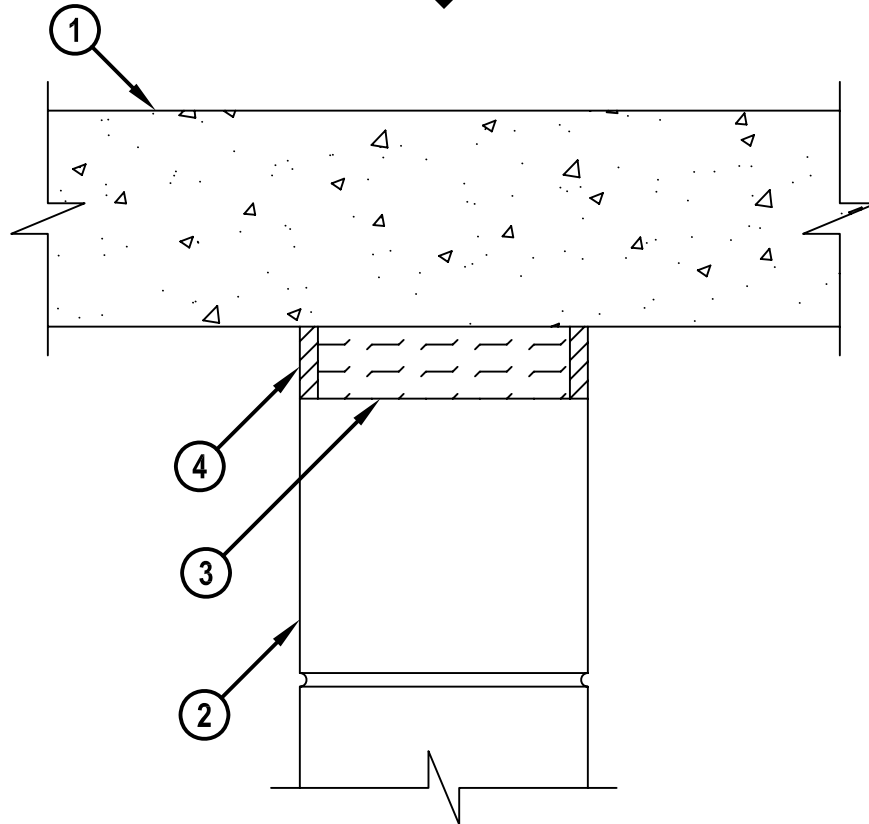
ASSEMBLY RATING = 3-HR.

CLASS II MOVEMENT CAPABILITIES - 6% COMPRESSION OR EXTENSION

L-RATING AT AMBIENT = LESS THAN 1 CFM/LIN. FT.

L-RATING AT 400°F = LESS THAN 1 CFM/LIN. FT.

**CROSS-SECTIONAL VIEW**



1. LIGHTWEIGHT OR NORMAL WEIGHT CONCRETE FLOOR ASSEMBLY (MINIMUM 6" THICK) (3-HR. FIRE-RATING).
2. CONCRETE WALL ASSEMBLY (3-HR. FIRE-RATING) :
  - A. LIGHTWEIGHT OR NORMAL WEIGHT CONCRETE FLOOR OR WALL (MINIMUM 6" THICK).
  - B. ANY UL/cUL CLASSIFIED CONCRETE BLOCK WALL.
3. MINIMUM 5" THICKNESS MINERAL WOOL (MIN. 4 PCF DENSITY) COMPRESSED 50%.
4. MINIMUM 1/2" DEPTH HILTI CP 606 FLEXIBLE FIRESTOP SEALANT, FLUSH WITH BOTH SIDES OF WALL.

**NOTE : MAXIMUM WIDTH OF JOINT = 2".**

**HILTI**<sup>®</sup>  
**FIRESTOP SYSTEMS**

HILTI, Inc.  
Tulsa, Oklahoma USA (918) 252-6000

Sheet	1 of 1
Scale	3/16" = 1"
Date	Nov. 03, 2005

Drawing No.

**HWD  
0403a**

*Saving Lives through Innovation and Education*

HW-D-0403a.110305