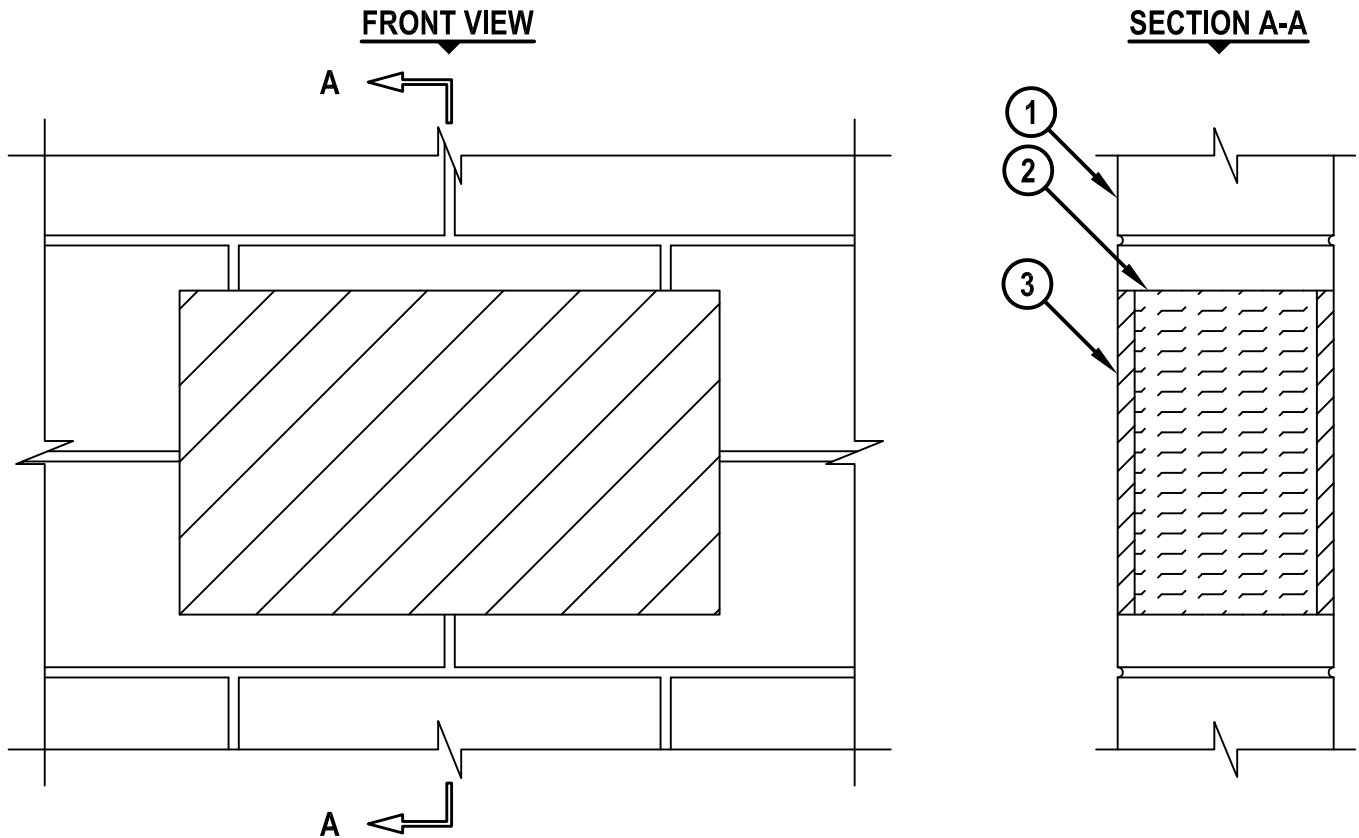


BLANK OPENING THROUGH CONCRETE OR BLOCK WALL ASSEMBLY

F-RATING = 2-HR.

T-RATING = 2-HR.

WJ0015b.010815



1. CONCRETE WALL ASSEMBLY (2-HR. FIRE-RATING) :
 - A. LIGHTWEIGHT OR NORMAL WEIGHT CONCRETE WALL (MINIMUM 6" THICK).
 - B. ANY UL/cUL CLASSIFIED CONCRETE BLOCK WALL.
2. MINIMUM 4-3/4" THICKNESS MINERAL WOOL (MIN. 4 PCF DENSITY) TIGHTLY PACKED.
3. MINIMUM 5/8" DEPTH HILTI FS-ONE MAX OR FS-ONE INTUMESCENT FIRESTOP SEALANT.

NOTE : MAXIMUM AREA OF SQUARE, RECTANGULAR, OR CIRCULAR OPENING IS 240 SQ. IN. WITH A MAXIMUM DIMENSION OF 20".



HILTI, Inc.
Tulsa, Oklahoma USA (800) 879-8000

Sheet	1 of 1
Scale	9/64" = 1"
Date	Jan. 08, 2015

Drawing No.
WJ
0015b