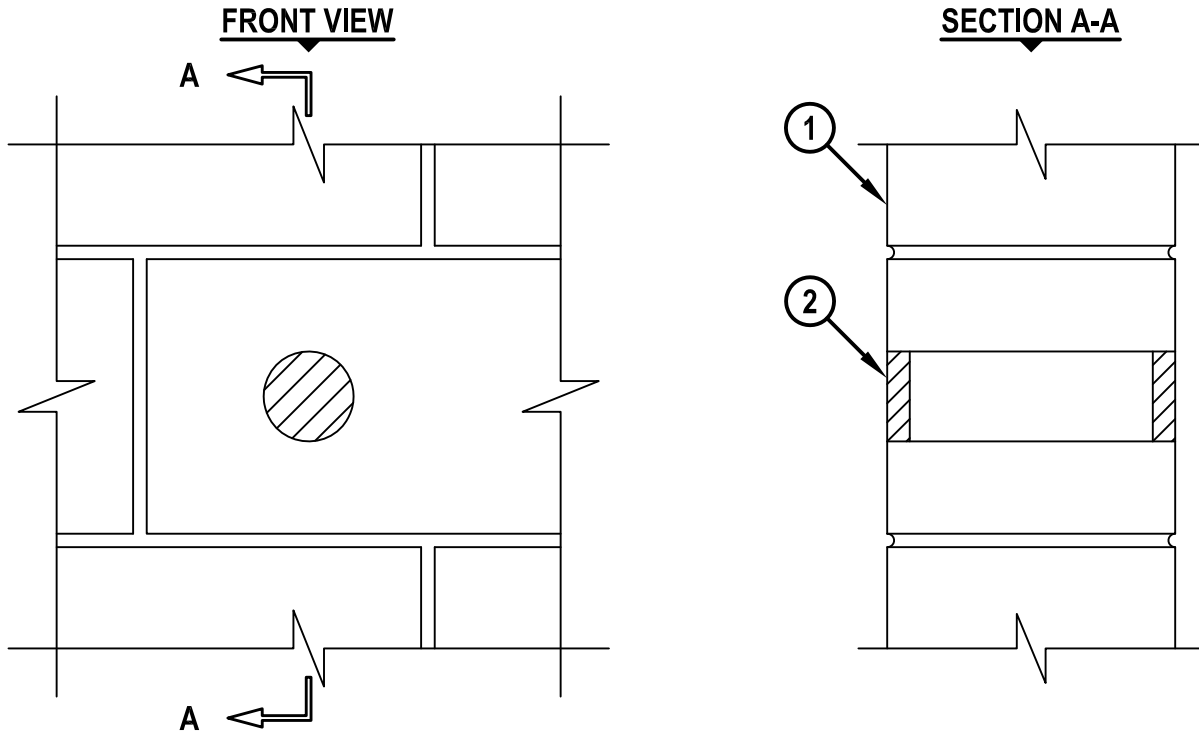


**BLANK OPENING THROUGH CONCRETE WALL OR BLOCK WALL ASSEMBLY**

F-RATING = 2-HR.  
T-RATING = 1 3/4-HR.

WJ0022b.010815



1. CONCRETE WALL ASSEMBLY (2-HR. FIRE-RATING) :
  - A. LIGHTWEIGHT OR NORMAL WEIGHT CONCRETE WALL (MINIMUM 6" THICK).
  - B. ANY UL/cUL CLASSIFIED CONCRETE BLOCK WALL.
2. MINIMUM 5/8" DEPTH HILTI FS-ONE MAX OR FS-ONE INTUMESCENT FIRESTOP SEALANT.

**NOTE : MAXIMUM DIAMETER OF OPENING = 2-1/2" OR A MAXIMUM AREA OF 4" WITH A MAXIMUM DIMENSION OF 2".**



HILTI, Inc.  
Tulsa, Oklahoma USA (800) 879-8000

Sheet	1 of 1
Scale	3/16" = 1"
Date	Jan. 08, 2015

Drawing No.  
**WJ**  
**0022b**