

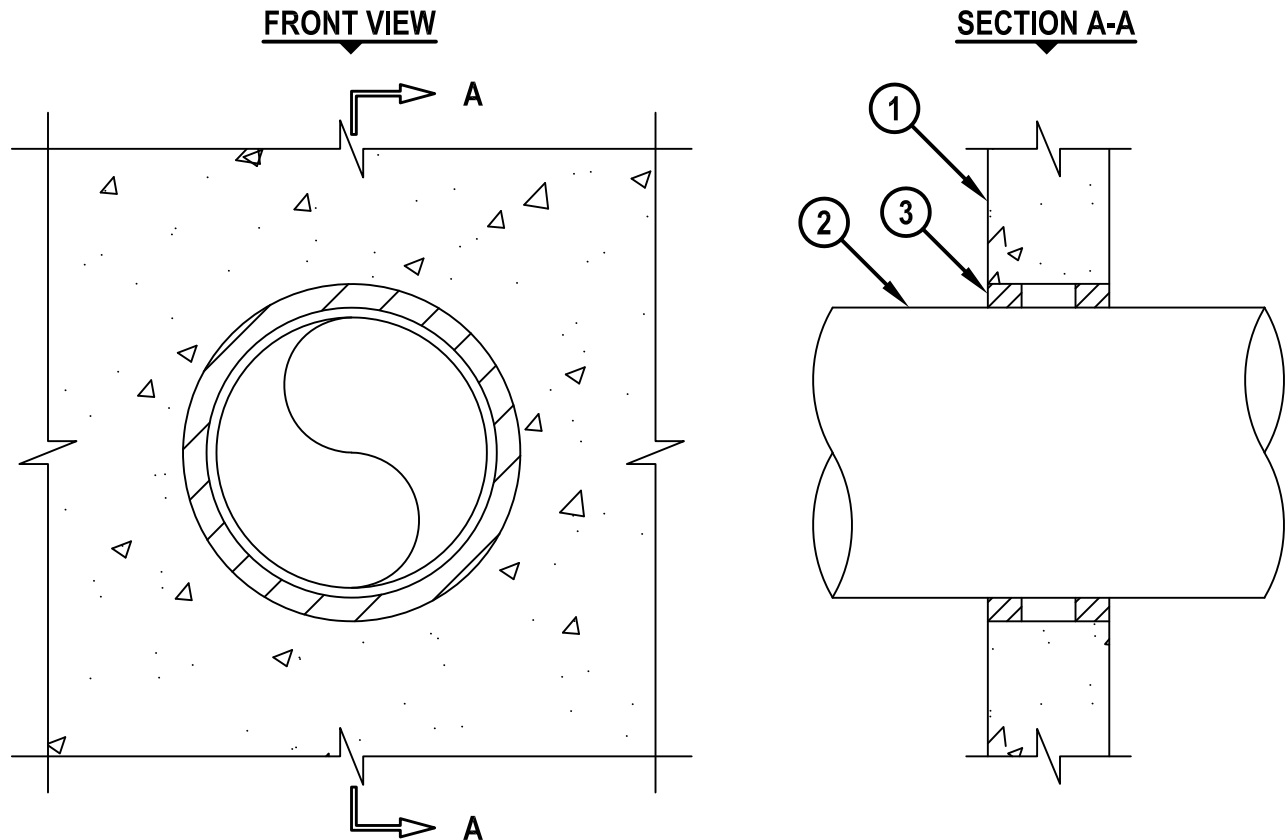
UL/cUL SYSTEM NO. W-J-1028

METAL PIPE THROUGH CONCRETE WALL OR BLOCK WALL

F-RATING = 1-HR. OR 2-HR.

T-RATING = 0-HR.

WJ1028m.011819



1. CONCRETE WALL ASSEMBLY (1-HR. OR 2-HR. FIRE-RATING) :
 - A. LIGHTWEIGHT OR NORMAL WEIGHT CONCRETE WALL (MINIMUM 2-1/2" THICK).
 - B. ANY UL/cUL CLASSIFIED CONCRETE BLOCK WALL.
2. PENETRATING ITEM TO BE ONE OF THE FOLLOWING :
 - A. MAXIMUM 10" NOMINAL DIAMETER STEEL PIPE (SCHEDULE 10 OR HEAVIER).
 - B. MAXIMUM 4" NOMINAL DIAMETER COPPER PIPE.
 - C. MAXIMUM 4" NOMINAL DIAMETER STEEL CONDUIT OR EMT.
3. HILTI FS-ONE MAX INTUMESCENT FIRESTOP SEALANT OR HILTI CFS-S SIL GG FIRESTOP SILICONE SEALANT :
 - A. MINIMUM 5/8", FOR A 1-HR. FIRE-RATING.
 - B. MINIMUM 1-1/4", FOR A 2-HR. FIRE-RATING.

NOTES : 1. MAXIMUM DIAMETER OF OPENING = 12-1/2".
2. ANNULAR SPACE = MINIMUM 1/2", MAXIMUM 7/8".



HILTI, Inc.
Plano, Texas USA (800) 879-8000

Sheet	1 of 1
Scale	9/64" = 1"
Date	Jan. 18, 2019

Drawing No.

WJ
1028m

Saving Lives through Innovation and Education