

METAL PIPE THROUGH CONCRETE WALL OR CONCRETE BLOCK WALL ASSEMBLY

F-RATING = 1-HR. OR 2-HR.

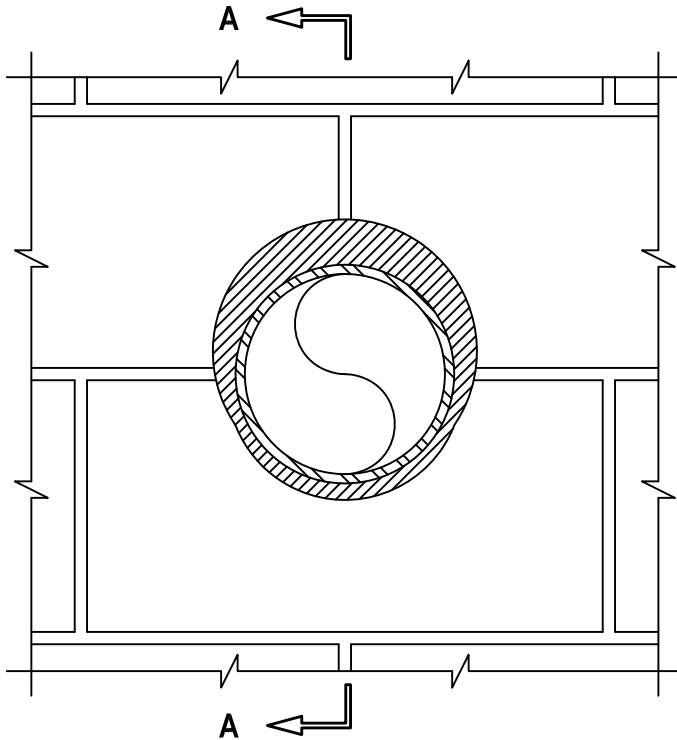
T-RATING = 0-HR.

L-RATING AT AMBIENT = LESS THAN 1 CFM / SQ FT

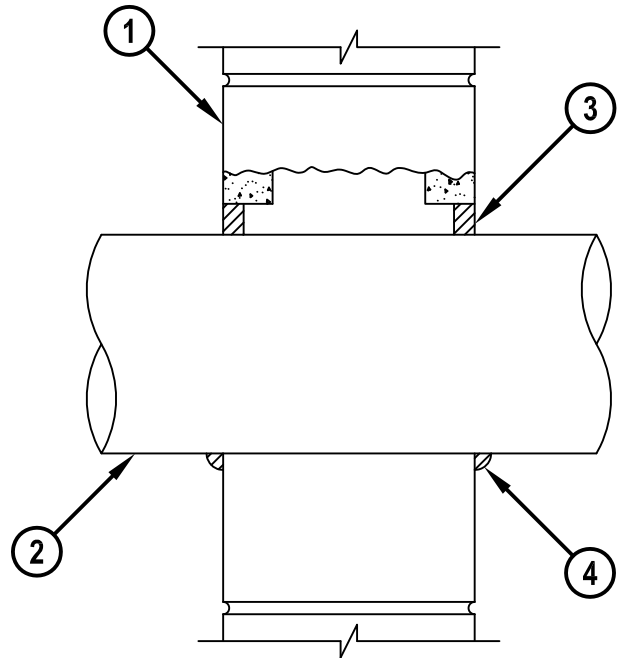
L-RATING AT 400° F = LESS THAN 1 CFM / SQ FT

WJ1067h.010816

FRONT VIEW



SECTION A-A



1. CONCRETE WALL ASSEMBLY (1-HR. OR 2-HR. FIRE-RATING) :
 - A. LIGHTWEIGHT OR NORMAL WEIGHT CONCRETE WALL (MIN. 3-3/4" THICK, FOR 1-HR. FIRE-RATING).
 - B. LIGHTWEIGHT OR NORMAL WEIGHT CONCRETE WALL (MIN. 5" THICK, FOR 2-HR. FIRE-RATING).
 - C. ANY UL/cUL CLASSIFIED CONCRETE BLOCK WALL.
2. PENETRATING ITEM TO BE ONE OF THE FOLLOWING :
 - A. MAXIMUM 30" NOMINAL DIAMETER STEEL PIPE (SCHEDULE 10 OR HEAVIER).
 - B. MAXIMUM 30" NOMINAL DIAMETER CAST IRON PIPE.
 - C. MAXIMUM 6" NOMINAL DIAMETER COPPER PIPE.
 - D. MAXIMUM 6" NOMINAL DIAMETER STEEL CONDUIT.
 - E. MAXIMUM 4" NOMINAL DIAMETER EMT.
3. MINIMUM 5/8" DEPTH HILTI FS-ONE MAX OR FS-ONE INTUMESCENT FIRESTOP SEALANT.
4. MINIMUM 1/2" BEAD HILTI FS-ONE MAX OR FS-ONE INTUMESCENT FIRESTOP SEALANT APPLIED AT POINT OF CONTACT.

NOTES : 1. MAXIMUM DIAMETER OF OPENING = 32-1/4".
 2. ANNULAR SPACE = MINIMUM 0", MAXIMUM 2-1/4".
 3. PIPE MAY BE INSTALLED WITH CONTINUOUS POINT OF CONTACT.



HILTI, Inc.
 Plano, Texas USA (800) 879-8000

Sheet	1 of 1
Scale	11/64" = 1"
Date	Jan. 08, 2016

Drawing No.
WJ
1067h