

UL/cUL SYSTEM NO. W-J-1124

METAL PIPE THROUGH CONCRETE WALL OR BLOCK WALL ASSEMBLY

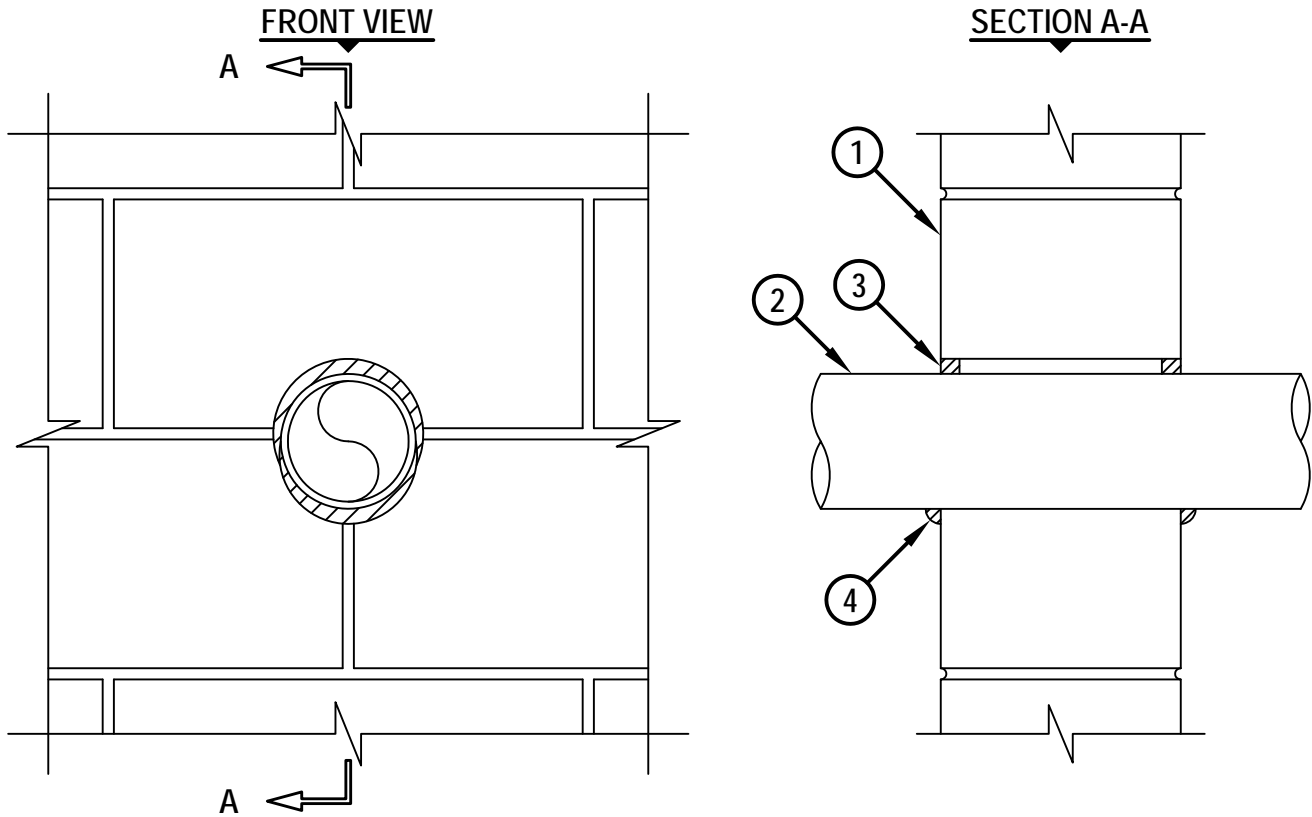
F-RATING = 2-HR.

T-RATING = 0-HR.

L-RATING AT AMBIENT = LESS THAN 1 CFM/SQ. FT.

L-RATING AT 400°F = LESS THAN 1 CFM/SQ. FT.

WJ1124c.081910



1. CONCRETE WALL ASSEMBLY (2-HR. FIRE-RATING) :
 - A. LIGHTWEIGHT OR NORMAL WEIGHT CONCRETE WALL (MINIMUM 5" THICK).
 - B. ANY UL/cUL CLASSIFIED CONCRETE BLOCK WALL.
2. PENETRATING ITEM TO BE ONE OF THE FOLLOWING :
 - A. MAXIMUM 4" DIAMETER STEEL PIPE (SCHEDULE 40 OR HEAVIER).
 - B. MAXIMUM 4" DIAMETER CAST IRON PIPE.
 - C. MAXIMUM 4" NOMINAL DIAMETER COPPER PIPE.
 - D. MAXIMUM 4" NOMINAL DIAMETER STEEL CONDUIT.
 - E. MAXIMUM 4" NOMINAL DIAMETER EMT.
3. MINIMUM 5/8" DEPTH HILTI CP 606 FLEXIBLE FIRESTOP SEALANT.
4. MINIMUM 1/2" BEAD HILTI CP 606 FLEXIBLE FIRESTOP SEALANT APPLIED AT POINT OF CONTACT.

NOTES : 1. MAXIMUM DIAMETER OF OPENING = 5".
2. ANNULAR SPACE = MINIMUM 0", MAXIMUM 1/2".



HILTI, Inc.
Tulsa, Oklahoma USA (800) 879-8000

Sheet	1 of 1
Scale	5/32" = 1"
Date	Aug. 19, 2010

Drawing No.
**WJ
1124c**

Saving Lives through Innovation and Education