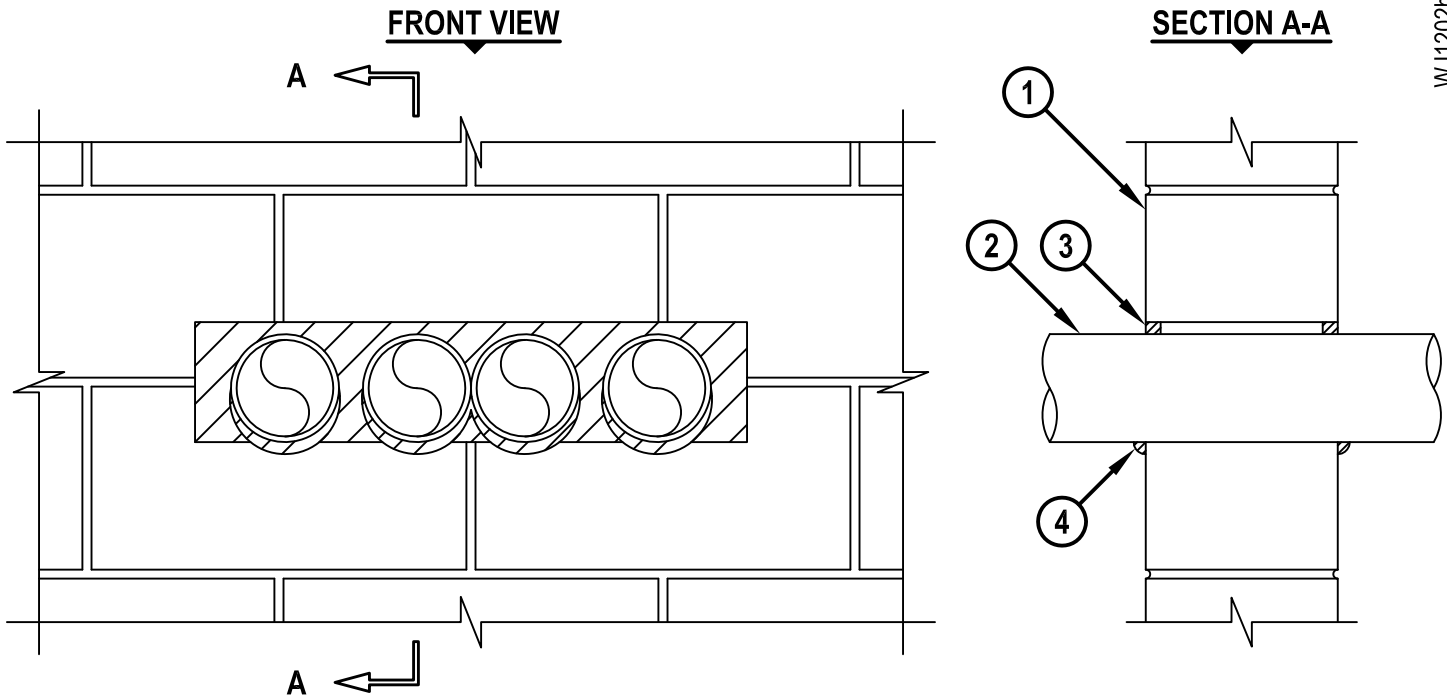


**MULTIPLE METALLIC PIPES THROUGH CONCRETE OR BLOCK WALL ASSEMBLY**

F-RATING = 2-HR.  
T-RATING = 1/4-HR.

WJ1202b.010815



1. CONCRETE WALL ASSEMBLY (2-HR. FIRE-RATING) :
  - A. LIGHTWEIGHT OR NORMAL WEIGHT CONCRETE WALL (MINIMUM 6" THICK).
  - B. ANY UL/cUL CLASSIFIED CONCRETE BLOCK WALL.
2. ONE OR MORE OF THE FOLLOWING PENETRATING ITEMS TO BE INSTALLED IN A SINGLE ROW :
  - A. MAXIMUM 4" NOMINAL DIAMETER STEEL PIPE (SCHEDULE 5 OR HEAVIER).
  - B. MAXIMUM 4" NOMINAL DIAMETER STEEL CONDUIT.
  - C. MAXIMUM 4" NOMINAL DIAMETER EMT.
3. MINIMUM 5/8" DEPTH HILTI FS-ONE MAX OR FS-ONE INTUMESCENT FIRESTOP SEALANT.
4. MINIMUM 1/2" BEAD HILTI FS-ONE MAX OR FS-ONE INTUMESCENT FIRESTOP SEALANT APPLIED AT POINT OF CONTACT.

NOTES : 1. MAXIMUM SIZE OF OPENING = 23" x 5".  
 2. ANNULAR SPACE BETWEEN PENETRANTS AND PERIPHERY OF OPENING = MINIMUM 0", MAXIMUM 1".  
 3. ANNULAR SPACE BETWEEN PENETRANTS = MINIMUM 0", MAXIMUM 1-1/2".



HILTI, Inc.  
Tulsa, Oklahoma USA (800) 879-8000

Sheet	1 of 1
Scale	1/8" = 1"
Date	Jan. 08, 2015

Drawing No.  
**WJ  
1202b**