

PLASTIC PIPE THROUGH CONCRETE WALL OR BLOCK WALL ASSEMBLY

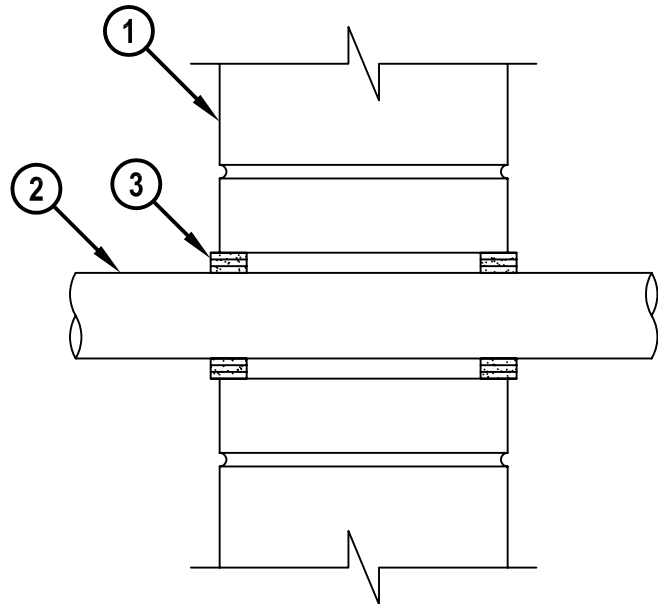
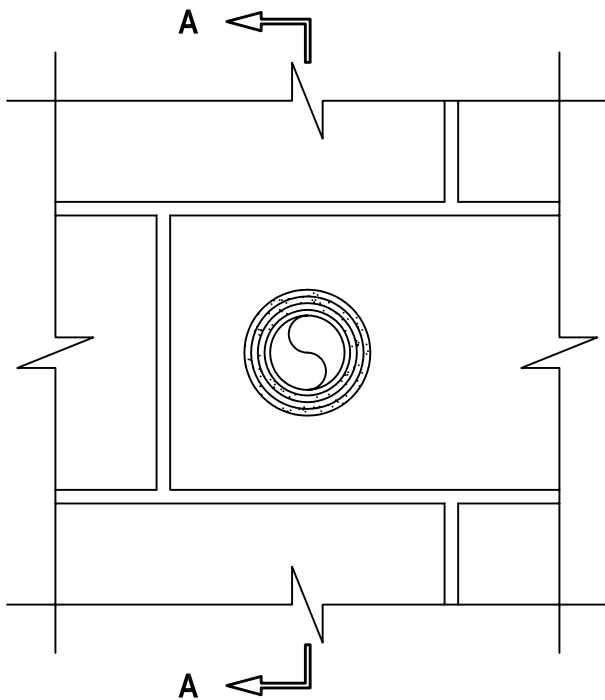
F-RATING = 2-HR.

T-RATING = 2-HR.

WJ2069c.061405

FRONT VIEW

SECTION A-A



1. CONCRETE WALL ASSEMBLY (2-HR. FIRE-RATING) :
 - A. LIGHTWEIGHT OR NORMAL WEIGHT CONCRETE WALL (MINIMUM 5" THICK).
 - B. ANY UL CLASSIFIED CONCRETE BLOCK WALL.
2. PENETRATING ITEM TO BE ONE OF THE FOLLOWING :
 - A. MAXIMUM 2" NOMINAL DIAMETER PVC PLASTIC PIPE (CELLULAR OR SOLID CORE).
 - B. MAXIMUM 2" NOMINAL DIAMETER CPVC PLASTIC PIPE (CLOSED PIPING SYSTEM ONLY).
3. HILTI CP 648E WRAP STRIP (NOMINAL 3/16" THICK x 1" WIDE) CONTINUOUSLY WRAPPED AROUND THE OUTER CIRCUMFERENCE OF THE PIPE, COVERING THREE TIMES, WITH ENDS BUTTED AND HELD IN PLACE WITH TAPE. WRAP STRIP TO BE SLID INTO ANNULAR SPACE, SUCH THAT 1/4" OF THE WRAP STRIP PROTRUDES FROM THE WALL SURFACE.

NOTES : 1. MAXIMUM DIAMETER OF OPENING = 3-1/2".
 2. ANNULAR SPACE = NOMINAL 9/16".
 3. CLOSED OR VENTED PIPING SYSTEMS (PVC = SCHEDULE 40; CPVC = SDR 13.5).



HILTI, Inc.
 Tulsa, Oklahoma USA (918) 252-6000

Sheet	1 of 1
Scale	3/16" = 1"
Date	June 14, 2005

Drawing No.
WJ
2069c