

UL SYSTEM NO. W-J-2190

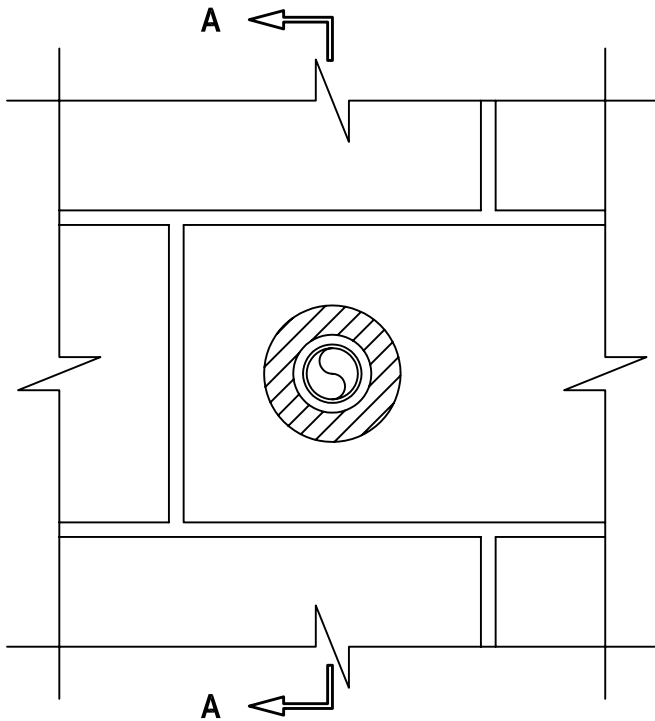
ENT THROUGH 3-HR. OR 4-HR. CONCRETE OR BLOCK WALL ASSEMBLY

F-RATING = 3-HR. OR 4-HR.

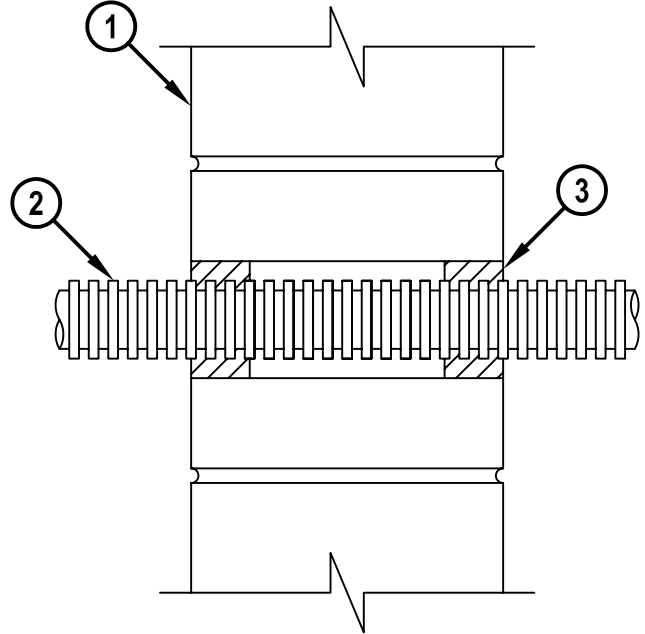
T-RATING = 3-HR. OR 4-HR.

WJ2190b.051605

FRONT VIEW



SECTION A-A



1. CONCRETE WALL ASSEMBLY (3-HR. OR 4-HR. FIRE-RATING) :
 - A. LIGHTWEIGHT OR NORMAL WEIGHT CONCRETE WALL (MINIMUM 6-1/2" THICK OR 7-1/2" THICK FOR 3-HR. OR 4-HR. FIRE-RATING, RESPECTIVELY).
 - B. ANY UL CLASSIFIED CONCRETE BLOCK WALL.
2. MAXIMUM 2" NOMINAL DIAMETER ENT (FORMED FROM PVC).
3. MINIMUM 1-1/2" DEPTH HILTI CP 618 FIRESTOP PUTTY STICK.

**NOTES : 1. MAXIMUM DIAMETER OF OPENING = 3-1/2".
2. ANNULAR SPACE = MINIMUM 1/4", MAXIMUM 3/4".**



HILTI, Inc.
Tulsa, Oklahoma USA (918) 252-6000

| | |
|-------|--------------|
| Sheet | 1 of 1 |
| Scale | 13/64" = 1" |
| Date | MAY 16, 2005 |

Drawing No.

**WJ
2190b**

Saving Lives through Innovation and Education