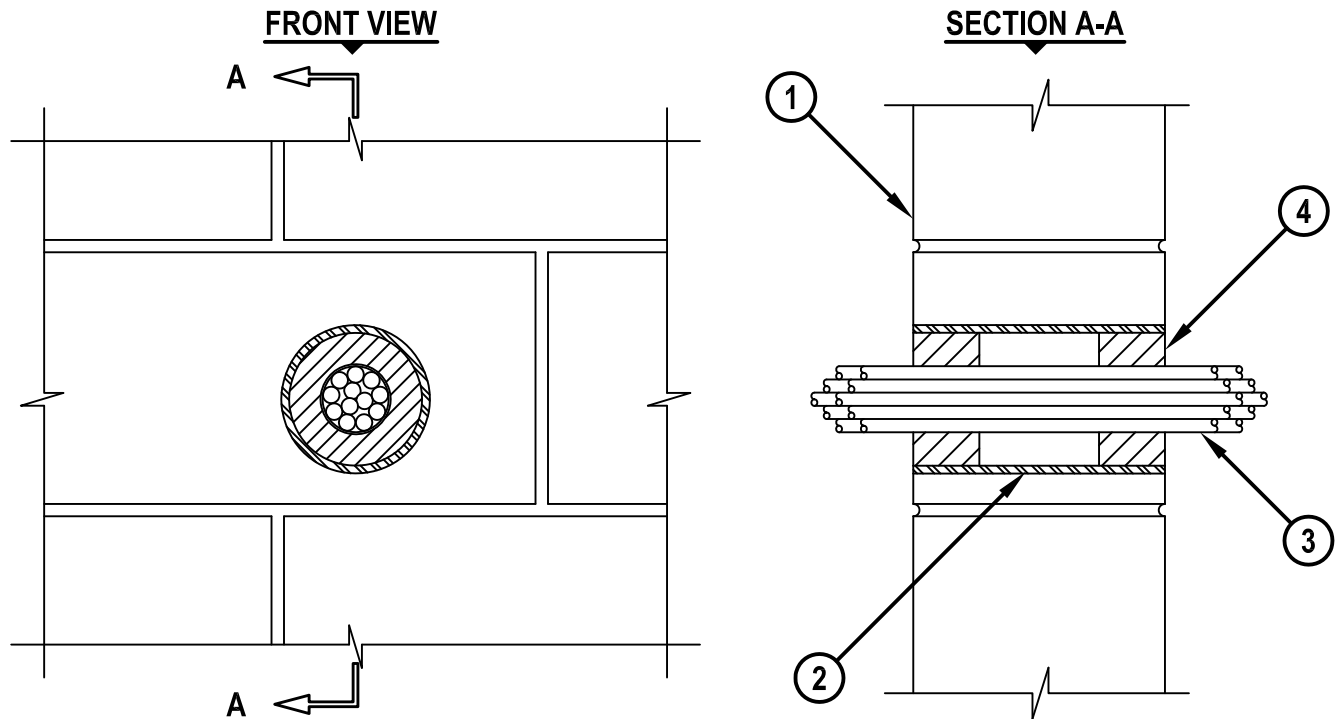


UL/cUL SYSTEM NO. WJ3050

**CABLE BUNDLE IN A SLEEVE THROUGH CONCRETE WALL
OR BLOCK WALL ASSEMBLY**

F-RATING = 4-HR.
T-RATING = 1-HR.

WJ3050c.010915



1. CONCRETE WALL ASSEMBLY (4-HR. FIRE-RATING).
 - A. LIGHTWEIGHT OR NORMAL WEIGHT CONCRETE WALL (MINIMUM 7-1/2" THICK).
 - B. ANY UL/ULC CLASSIFIED CONCRETE BLOCK WALL.
2. MAXIMUM 4" NOMINAL DIAMETER STEEL PIPE SLEEVE (SCHEDULE 40 OR HEAVIER).
3. CABLE BUNDLE TO CONSIST OF ANY OF THE FOLLOWING :
 - A. MAXIMUM 7/C NO. 12 AWG CABLE.
 - B. MAXIMUM 25 PAIR NO. 24 AWG TELEPHONE CABLE.
 - C. RG 59 COAXIAL CABLE.
 - D. 24 FIBER-OPTIC CABLE (MAX. 1/2" DIAMETER).
 - E. MAXIMUM 3/C NO. 10 AWG METAL-CLAD CABLE.
4. MINIMUM 2" DEPTH HILTI FS-ONE MAX OR FS-ONE INTUMESCENT FIRESTOP SEALANT.

NOTES : 1. MAXIMUM DIAMETER OF OPENING = 4".
2. ANNULAR SPACE = MINIMUM 1/4", MAXIMUM 1".
3. CABLES TO FILL MAXIMUM 33% OF CROSS-SECTIONAL AREA OF OPENING.



HILTI, Inc.
Tulsa, Oklahoma USA (800) 879-8000

Sheet	1 of 1
Scale	11/64" = 1"
Date	Jan. 09, 2015

Drawing No.

**WJ
3050c**

Saving Lives through Innovation and Education