

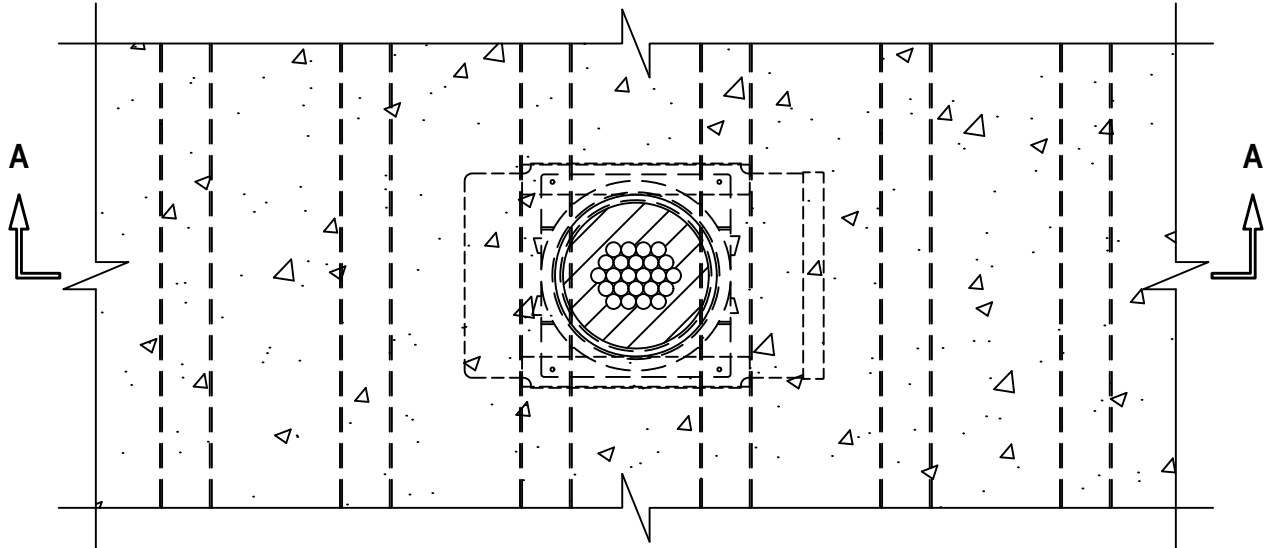
UL/cUL SYSTEM NO. F-A-3071

CABLE BUNDLE THROUGH CONCRETE FLOOR OVER METAL DECKING ASSEMBLY

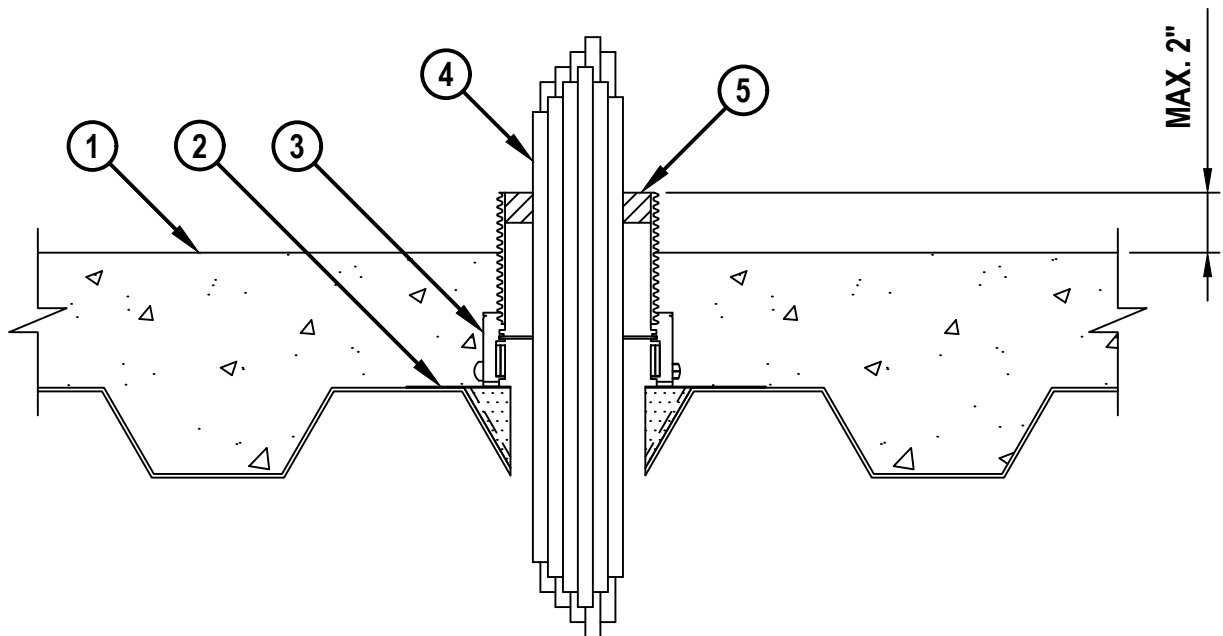
F-RATING = 3-HR.

T-RATING = 1/4-HR. OR 1/2-HR.

TOP VIEW



SECTION A-A



FA3071c.111319



HILTI, Inc.
Plano, Texas USA (800) 879-8000

Sheet	1 of 2
Scale	5/32" = 1"
Date	Nov. 13, 2019

Drawing No.
**FA
3071c**

Saving Lives through Innovation and Education

CABLE BUNDLE THROUGH CONCRETE FLOOR OVER METAL DECKING ASSEMBLY

F-RATING = 3-HR.

T-RATING = 1/4-HR. OR 1/2-HR.

FA3071c.111319

1. LIGHTWEIGHT OR NORMAL WEIGHT CONCRETE FLOOR ASSEMBLY (MINIMUM 2-1/2" OR 4-1/2" THICK) OVER METAL DECKING (UL/cUL CLASSIFIED D900 SERIES) WITH 2" OR 3" FLUTED DECKS (3-HR. FIRE-RATING).
2. HILTI CFS-CID MD PLT [W2" OR W3"] METAL DECK PLATFORM SECURED TO DECK WITH ONE FASTENER IN EACH CORNER.
3. HILTI CFS-CID MD [M, P, OR PX] [2", 3", OR 4"]/[2.5" OR 4"] FIRESTOP CAST-IN DEVICE FOR METAL DECK SECURED TO HILTI CFS-CID MD PLT METAL DECK PLATFORM WITH SCREWS.
4. CABLE BUNDLE CONSISTING OF ANY OF THE FOLLOWING :
 - A. MAXIMUM 300 PAIR NO. 24 AWG TELEPHONE CABLE WITH PVC JACKET.
 - B. MAXIMUM 750 KCMIL POWER CABLE WITH PVC JACKET.
 - C. MAXIMUM 7/C NO. 12 AWG POWER CABLE WITH PVC JACKET.
 - D. MAXIMUM (24 FIBER) 1/2" DIAMETER FIBER-OPTIC CABLE.
 - E. MAXIMUM 3/C NO. 12 AWG METAL-CLAD CABLE.
 - F. MAXIMUM 2/C NO. 18 AWG POWER OR NON-POWER LIMITED FIRE ALARM CABLE WITH OR WITHOUT METAL JACKET (MANUFACTURED BY AFC CABLE SYSTEMS, INC.).
5. MINIMUM 1" DEPTH HILTI CP 618 FIRESTOP PUTTY STICK APPLIED AROUND CABLES (SEE NOTES BELOW).

MAX BUNDLE DIAMETER	PRODUCT DESCRIPTION	MIN FLOOR THICKNESS	T-RATING, HR.
2"	CFS-CID MD M 2", CFS-CID MD [P OR PX] 2"	2-1/2"	1/4
3"	CFS-CID MD M 3", CFS-CID MD [P OR PX] 3", CFS-CID MD M 4", CFS-CID MD [P OR PX] 4"	2-1/2"	1/4
4-1/2"	CFS-CID MD M 4", CFS-CID MD [P OR PX] 4"	4-1/2"	1/2

NOTES : 1. AS AN ALTERNATE TO HILTI CP 618 FIRESTOP PUTTY STICK, MINIMUM 2" THICKNESS MINERAL WOOL (MIN. 4 PCF DENSITY) MAY BE TIGHTLY PACKED INTO FIRESTOP DEVICE, FLUSH WITH TOP SURFACE OF DEVICE. WHEN FLOOR THICKNESS IS 2-1/2", MINIMUM 4" THICKNESS MINERAL WOOL (MIN. 4 PCF DENSITY) SHALL BE USED AND MAXIMUM DEVICE EXTENSION ABOVE FLOOR IS 4".

2. FILL MATERIAL IS OPTIONAL FOR MINIMUM 2" DIAMETER CABLE BUNDLES INSTALLED IN 2" DEVICES, MINIMUM 2-1/2" DIAMETER CABLE BUNDLES INSTALLED IN 3" DEVICES, AND MINIMUM 3" DIAMETER CABLE BUNDLES INSTALLED IN 4" DEVICES.



HILTI, Inc.
Plano, Texas USA (800) 879-8000

Sheet	2 of 2
Scale	-
Date	Nov. 13, 2019

Drawing No.
**FA
3071c**