

UL/cUL SYSTEM NO. W-J-3188

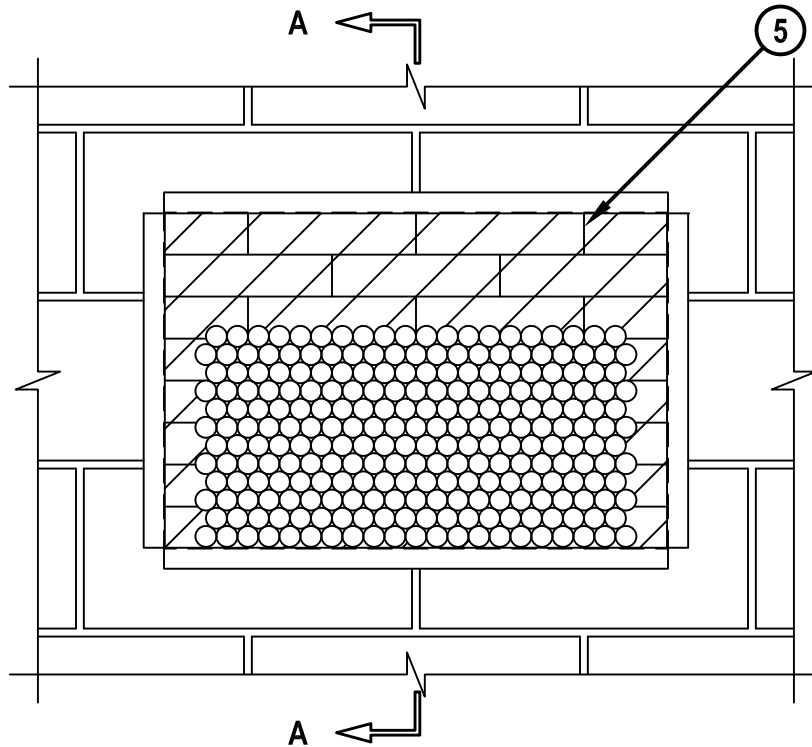
CABLE BUNDLE THROUGH CONCRETE WALL OR BLOCK WALL ASSEMBLY

F-RATING = 2-HR.

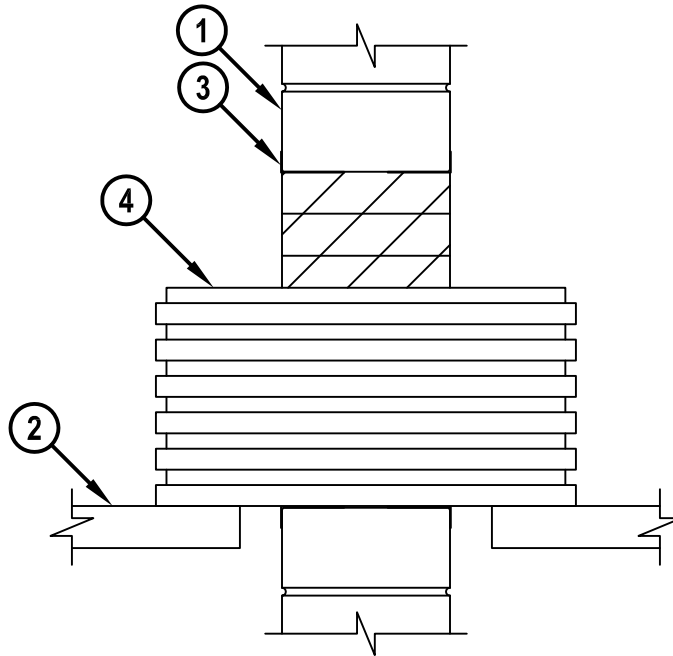
T-RATING = 0-HR. OR 1/2-HR.

WJ3188c.020916

FRONT VIEW



SECTION A-A



HILTI, Inc.
Plano, Texas USA (800) 879-8000

Sheet	1 of 2
Scale	7/64" = 1"
Date	Feb. 09, 2016

Drawing No.

**WJ
3188c**

Saving Lives through Innovation and Education

CABLE BUNDLE THROUGH CONCRETE WALL OR BLOCK WALL ASSEMBLY

F-RATING = 2-HR.

T-RATING = 0-HR. OR 1/2-HR.

WJ3188c.020916

1. CONCRETE WALL ASSEMBLY (2-HR. FIRE-RATING) :
 - A. LIGHTWEIGHT OR NORMAL WEIGHT CONCRETE WALL (MINIMUM 5" THICK).
 - B. ANY UL/cUL CLASSIFIED SOLID OR FILLED CONCRETE BLOCK WALL.
2. MAXIMUM 20" WIDE STEEL CABLE RACK MAY BE CONTINUOUS OR DISCONTINUOUS THROUGH WALL ASSEMBLY. WHEN THE RACK IS CONTINUOUS, THE T-RATING IS 0-HR.
3. [OPTIONAL] MINIMUM 1" x 3" x 0.039" ZINC COATED, OR PAINTED, STEEL ANGLES FRICTION FITTED TO FRAME ALL FOUR SIDES OF OPENING ON EACH SIDE OF WALL. STEEL FASTENERS MAY BE USED TO SECURE ANGLE TO WALL.
4. CABLES TO BE A COMBINATION OF ANY OF THE FOLLOWING :
 - A. MAXIMUM 750 KCMIL SINGLE CONDUCTOR POWER CABLE WITH PVC JACKET.
 - B. MAXIMUM 300 PAIR NO. 24 AWG TELEPHONE CABLE WITH PVC JACKET.
 - C. MAXIMUM 1/2" DIAMETER FIBER-OPTIC CABLE (24 FIBER).
5. HILTI CFS-BL FIRESTOP BLOCK (2" THICK x 8" WIDE x 5" DEEP, REFERENCE : FRONT VIEW) FIRMLY PACKED AND CENTERED WITHIN THE OPENING.

NOTES : 1. MAXIMUM AREA OF OPENING = 384 SQ. IN., WITH A MAXIMUM DIMENSION OF 24".
 2. CABLES TO FILL MAXIMUM 35% OF CROSS-SECTIONAL AREA OF OPENING.
 3. ANNULAR SPACE = MINIMUM 0", MAXIMUM 12".
 4. APPLY HILTI FS-ONE MAX INTUMESCENT FIRESTOP SEALANT, HILTI CP 618 FIRESTOP PUTTY STICK, HILTI CP 620 FIRE FOAM, OR HILTI CP 660 FIRESTOP FOAM INTO ANY VOID THAT MAY EXIST (AROUND PENETRANTS, INTO INTERSTICES OF CABLES, OR BETWEEN FIRESTOP BLOCKS), TO MAXIMUM EXTENT POSSIBLE.



HILTI, Inc.
 Plano, Texas USA (800) 879-8000

Sheet	2 of 2
Scale	-
Date	Feb. 09, 2016

Drawing No.
WJ
3188c