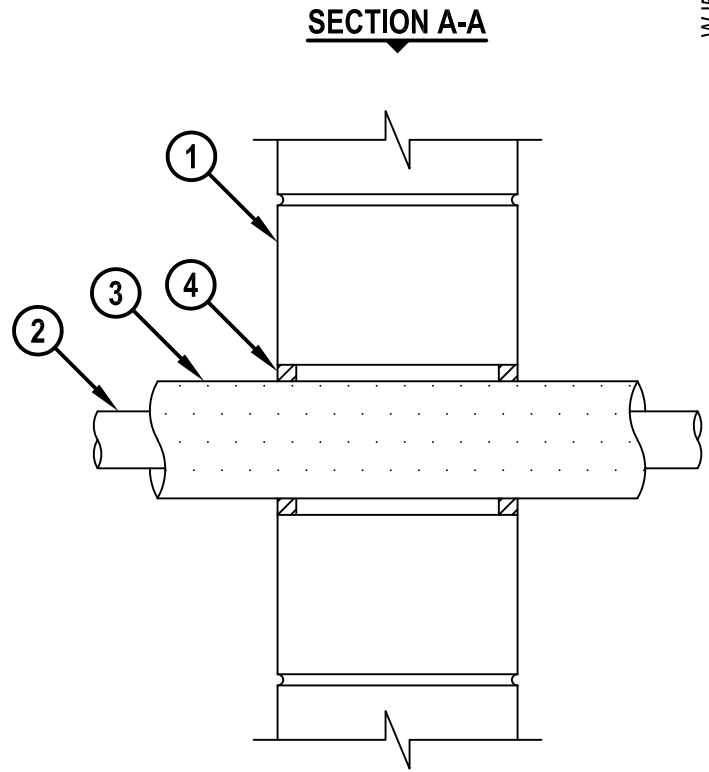
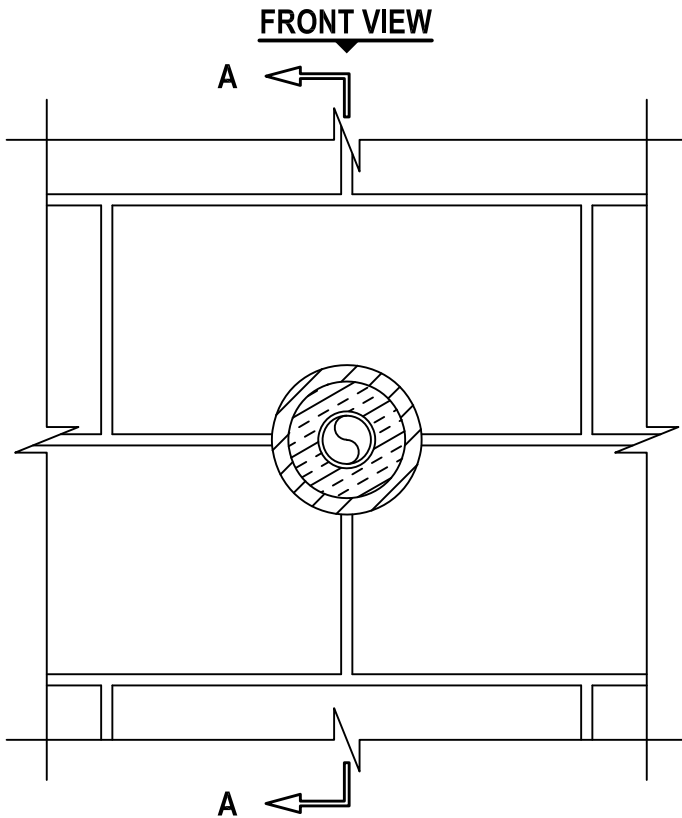


UL SYSTEM NO. W-J-5151

**INSULATED PLASTIC PIPE THROUGH CONCRETE WALL OR  
CONCRETE BLOCK WALL ASSEMBLY**

F-RATING = 2-HR.  
T-RATING = 2-HR.

WJ5151c.090618



1. CONCRETE WALL ASSEMBLY (2-HR. FIRE-RATING) :
  - A. LIGHTWEIGHT OR NORMAL WEIGHT CONCRETE WALL (MINIMUM 6" THICK).
  - B. ANY UL CLASSIFIED CONCRETE BLOCK WALL.
2. MAXIMUM 1-1/2" NOMINAL DIAMETER CPVC PLASTIC PIPE (SDR 11 OR SDR 13.5) (CLOSED PIPING SYSTEM).
3. NOMINAL 1" THICK GLASS-FIBER PIPE INSULATION.
4. MINIMUM 5/8" DEPTH HILTI FS-ONE MAX INTUMESCENT FIRESTOP SEALANT.

NOTES : 1. MAXIMUM DIAMETER OF OPENING = 5".  
2. ANNULAR SPACE = MINIMUM 1/4", MAXIMUM 7/8".



HILTI, Inc.  
Plano, Texas USA (800) 879-8000

|       |               |
|-------|---------------|
| Sheet | 1 of 1        |
| Scale | 5/32" = 1"    |
| Date  | Sep. 06, 2018 |

Drawing No.  
**WJ  
5151c**