

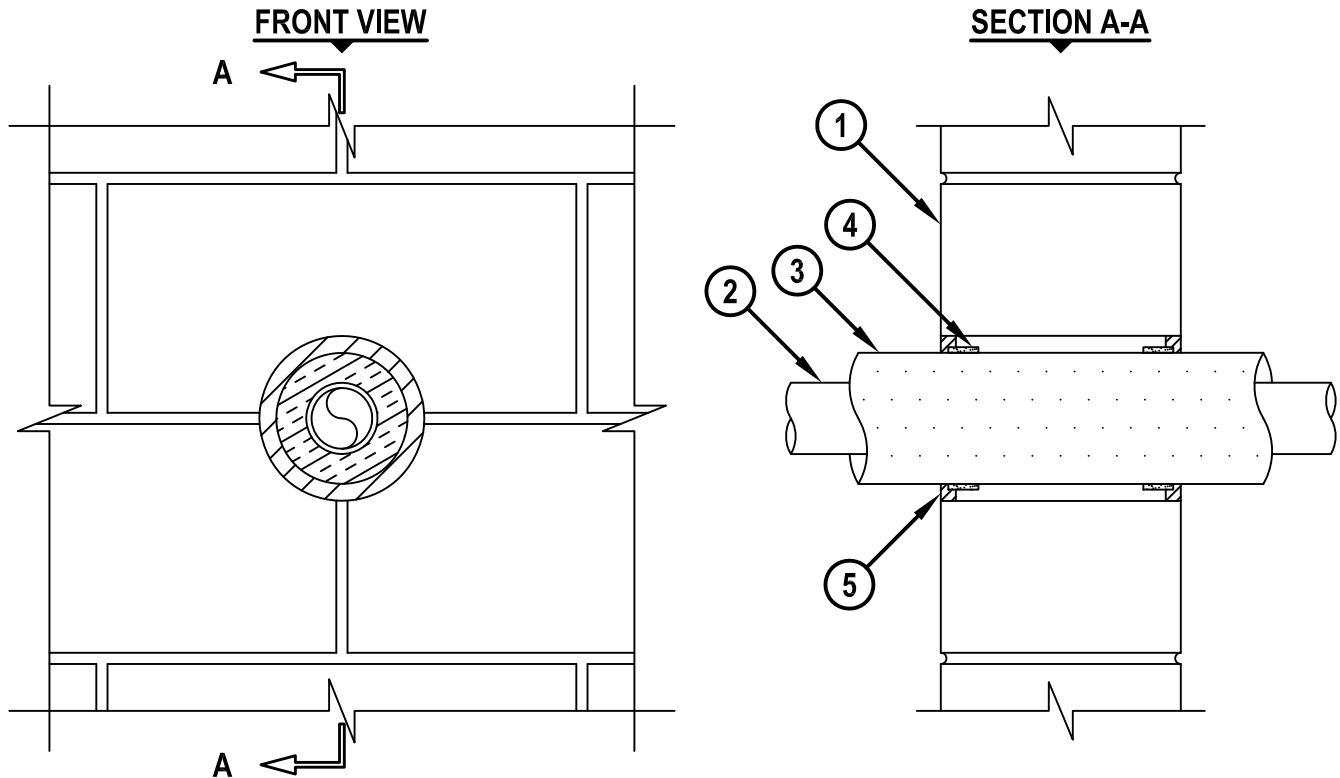
UL SYSTEM NO. W-J-5152

**INSULATED PLASTIC PIPE THROUGH CONCRETE WALL OR
CONCRETE BLOCK WALL ASSEMBLY**

F-RATING = 2-HR.

T-RATING = 1 3/4-HR. OR 2-HR.

WJ5152b.010915



1. CONCRETE FLOOR ASSEMBLY (2-HR. FIRE-RATING) :

- A. LIGHTWEIGHT OR NORMAL WEIGHT CONCRETE WALL (MINIMUM 6" THICK).
- B. ANY UL CLASSIFIED CONCRETE BLOCK WALL.

2. MAXIMUM 2" NOMINAL DIAMETER CPVC PLASTIC PIPE (SDR 11 OR SDR 13.5) (CLOSED PIPING SYSTEM).

3. PIPE TO BE INSULATED WITH ONE OF THE FOLLOWING :

- A. NOMINAL 1" THICK GLASS-FIBER PIPE INSULATION.
- B. NOMINAL 1" THICK AB/PVC PIPE INSULATION.

4. HILTI CP 648E WRAP STRIP (NOMINAL 3/16" THICK x 1" WIDE) CONTINUOUSLY WRAPPED AROUND THE OUTER CIRCUMFERENCE OF THE PIPE, COVERING ONE TIME, WITH ENDS BUTTED AND HELD IN PLACE WITH TAPE. WRAP STRIP TO BE INSERTED INTO ANNULAR SPACE AND RECESSED 1/4" FROM WALL SURFACES.

5. MINIMUM 1/2" DEPTH HILTI FS-ONE MAX OR FS-ONE INTUMESCENT FIRESTOP SEALANT FLUSH WITH BOTH SURFACES OF WALL. FS-ONE MAX OR FS-ONE TO BE NOMINAL 1/4" DEPTH AT AREA WHERE WRAP STRIP IS INSTALLED.

**NOTES : 1. MAXIMUM DIAMETER OF OPENING = 5-1/2".
2. ANNULAR SPACE = MINIMUM 1/4", MAXIMUM 7/8".**



Hilti Firestop Systems

HILTI, Inc.
Tulsa, Oklahoma USA (800) 879-8000

Sheet	1 of 1
Scale	5/32" = 1"
Date	Jan. 09, 2015

Drawing No.

**WJ
5152b**

Saving Lives through Innovation and Education