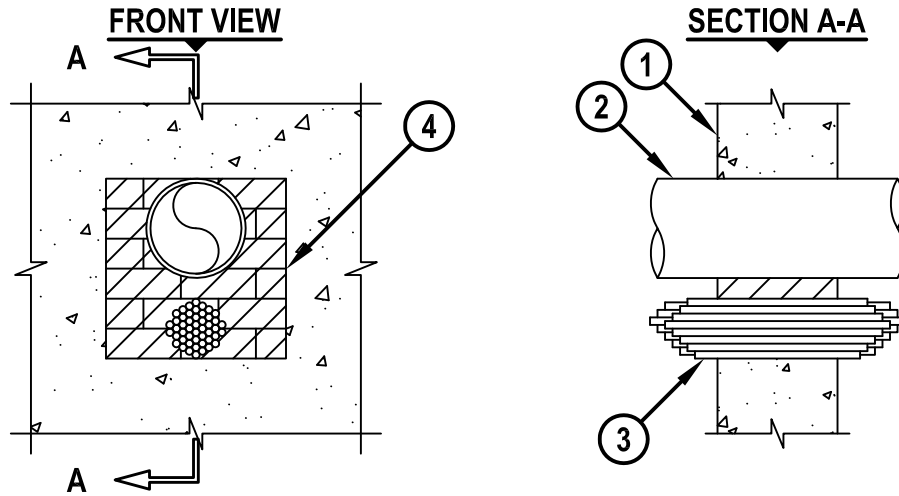


MULTIPLE PENETRATIONS THROUGH CONCRETE WALL

F-RATING = 4-HR.

T-RATING = 0-HR.



WJ8009d.010915

1. PRECAST AUTOCLAVED AERATED CONCRETE WALL ASSEMBLY (UL DESIGN NO. U916 OR U917) (4-HR. FIRE-RATING).
2. PENETRATING ITEM TO BE ANY ONE OF THE FOLLOWING :
 - A. MAXIMUM 6" NOMINAL DIAMETER STEEL PIPE (SCH. 10 OR HEAVIER).
 - B. MAXIMUM 6" NOMINAL DIAMETER CAST IRON PIPE.
 - C. MAXIMUM 6" NOMINAL DIAMETER COPPER PIPE.
 - D. MAXIMUM 6" NOMINAL DIAMETER STEEL CONDUIT.
 - E. MAXIMUM 4" NOMINAL DIAMETER EMT.
3. MAXIMUM 4" DIAMETER CABLE BUNDLE TO INCLUDE ANY OF THE FOLLOWING :
 - A. 300 PAIR NO. 24 AWG TELEPHONE CABLE WITH PVC JACKET.
 - B. 7/C NO. 12 AWG CABLE WITH PVC JACKET.
4. HILTI CFS-BL FIRESTOP BLOCK OR HILTI FS 657 FIRE BLOCK (2" THICK x 5" WIDE x 8" DEEP, REFERENCE : FRONT VIEW).

- NOTES :**
1. MAXIMUM AREA OF OPENING = 144 SQUARE INCHES WITH MAXIMUM DIMENSION OF 12".
 2. ANNULAR SPACE BETWEEN PIPE AND PERIPHERY OF OPENING = MINIMUM 0", MAXIMUM 4".
 3. ANNULAR SPACE BETWEEN CABLE BUNDLE AND PERIPHERY OF OPENING = MINIMUM 0", MAXIMUM 6".
 4. ANNULAR SPACE BETWEEN PENETRANTS = MINIMUM 2", MAXIMUM 4".
 5. INSTALL HILTI FS-ONE MAX OR FS-ONE FIRESTOP SEALANT IN ANY VOID THAT MAY EXIST (AROUND CABLES, OR PIPE PENETRANT).
 6. [NOT SHOWN] ATTACH A STEEL WIRE MESH (NOMINAL 2" SQUARES, NO. 16 SWG) WITH 1/4" DIAMETER x 4-3/16" LONG STEEL CONCRETE ANCHORS AND 1-1/2" DIAMETER FENDER WASHERS (SPACED MAXIMUM 8" C/C) ON BOTH SIDES OF WALL ASSEMBLY. STEEL WIRE MESH CUT TO FIT CONTOUR OF THE PENETRANT AND OVERLAP MINIMUM 3" BEYOND THE PERIPHERY OF THE OPENING.



HILTI, Inc.
Tulsa, Oklahoma USA (800) 879-8000

Sheet	1 of 1
Scale	5/64" = 1"
Date	Jan. 09, 2015

Drawing No.

**WJ
8009d**