

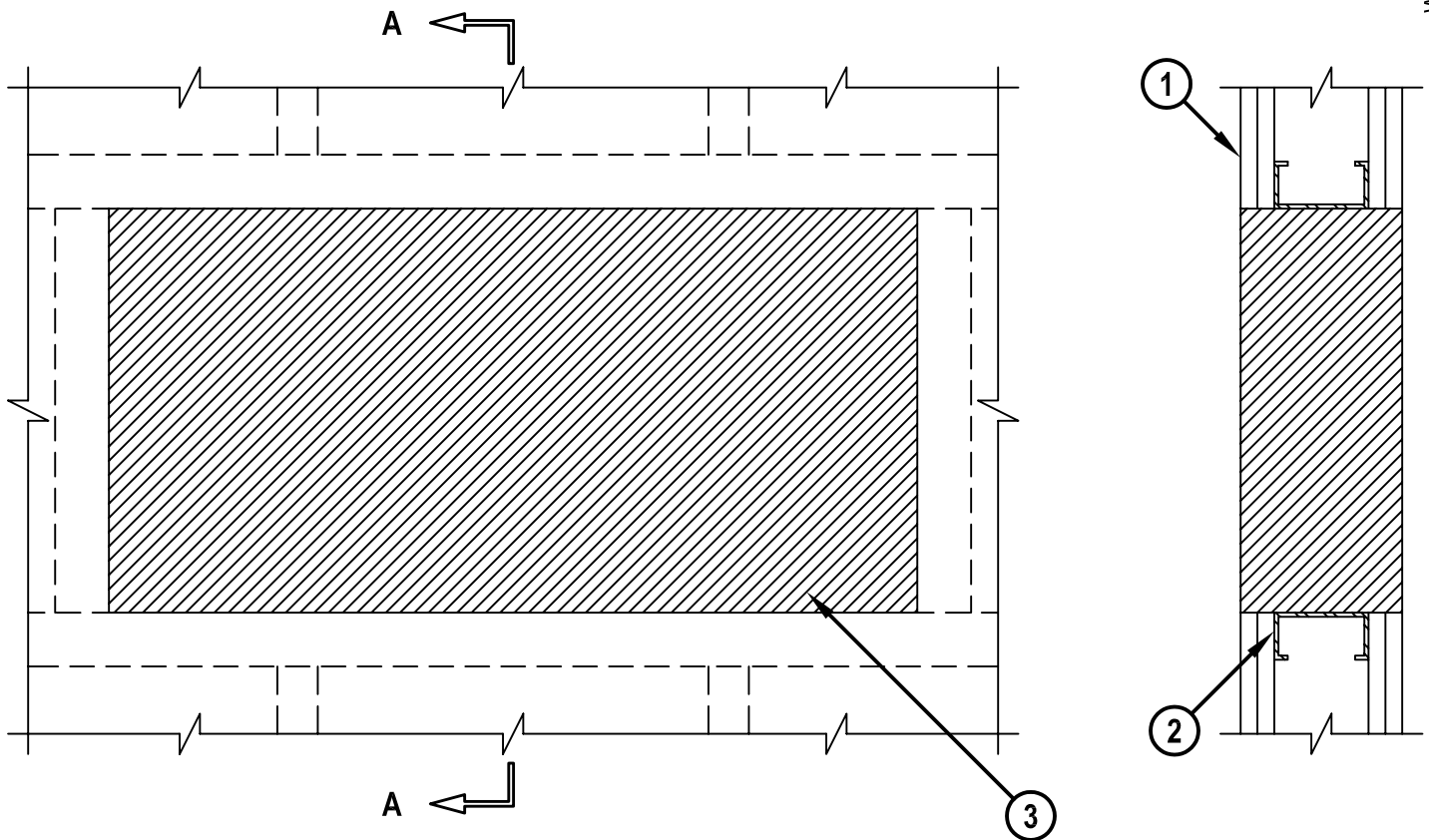
BLANK OPENING THROUGH GYPSUM WALL ASSEMBLY

F-RATING = 1 AND 2-HR.
T-RATING = 1 AND 2-HR.

WL0012a.071602

FRONT VIEW

SECTION A-A



1. GYPSUM WALL ASSEMBLY (UL/ULC CLASSIFIED U400 SERIES) (1-HR. OR 2-HR. FIRE-RATING) (2-HR. SHOWN).
2. OPENING TO BE "FRAMED-OUT" WITH LIGHTGAGE STEEL STUDS (MIN. 3-1/2" WIDE).
3. HILTI CP 620 FIRE FOAM INSTALLED FLUSH WITH BOTH SURFACES OF THE WALL :
 - A. MINIMUM 4-3/4" THICKNESS, FOR A 1-HR. FIRE-RATING.
 - B. MINIMUM 6" THICKNESS, FOR A 2-HR. FIRE-RATING.

NOTE : MAXIMUM SIZE OF OPENING = 30" x 15".



HILTI, Inc.
Tulsa, Oklahoma USA (918) 252-6000

| | |
|-------|---------------|
| Sheet | 1 of 1 |
| Scale | 9/64" = 1" |
| Date | July 16, 2002 |

Drawing No.
**WL
0012a**