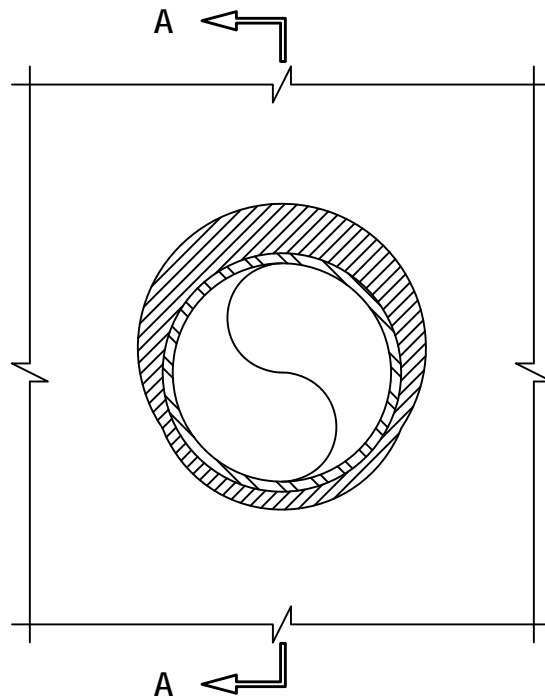


UL/cUL SYSTEM NO. W-L-1360
METAL PIPE THROUGH GYPSUM WALL ASSEMBLY

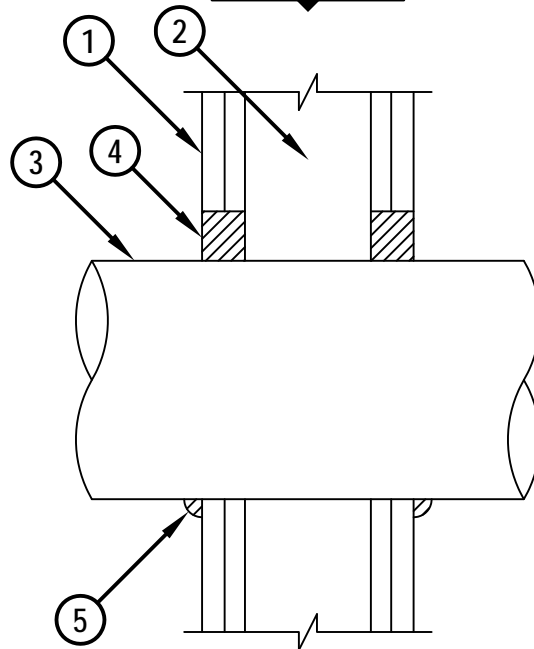
F-RATING = 1-HR. OR 2-HR.

T-RATING = 0-HR.

FRONT VIEW



SECTION A-A



WL1360c.011714



Hilti Firestop Systems

HILTI, Inc.
Tulsa, Oklahoma USA (800) 879-8000

Sheet 1 of 2

Scale 5/32" = 1"

Date Jan. 17, 2014

Drawing No.

**WL
1360c**

Saving Lives through Innovation and Education

UL/cUL SYSTEM NO. W-L-1360
METAL PIPE THROUGH GYPSUM WALL ASSEMBLY

F-RATING = 1-HR. OR 2-HR.

T-RATING = 0-HR.

WL1360c.011714

1. GYPSUM WALL ASSEMBLY UL/cUL CLASSIFIED U300, U400, OR V400 SERIES) (1-HR. OR 2-HR. FIRE-RATING) (2-HR. SHOWN).
2. [NOT SHOWN] WOOD STUDS TO CONSIST OF NOMINAL 2" x 4" LUMBER. STEEL STUDS TO BE MINIMUM 3-1/2" WIDE.
3. PENETRATING ITEM TO BE ONE OF THE FOLLOWING :
 - A. MAXIMUM 24" NOMINAL DIAMETER STEEL PIPE (SCHEDULE 10 OR HEAVIER).
 - B. MAXIMUM 24" NOMINAL DIAMETER CAST IRON PIPE.
 - C. MAXIMUM 6" NOMINAL DIAMETER COPPER PIPE OR TUBE.
 - D. MAXIMUM 6" NOMINAL DIAMETER STEEL CONDUIT.
 - E. MAXIMUM 4" NOMINAL DIAMETER EMT.
4. HILTI CP 601S ELASTOMERIC FIRESTOP SEALANT OR HILTI CFS-S SIL GG FIRESTOP SILICONE SEALANT :
 - A. MINIMUM 5/8" DEPTH OF SEALANT FOR A 1-HR. FIRE-RATING.
 - B. MINIMUM 1-1/4" DEPTH OF SEALANT FOR A 2-HR. FIRE-RATING (SEE NOTE NO. 2 BELOW).
5. MINIMUM 1/2" BEAD HILTI CP 601S ELASTOMERIC FIRESTOP SEALANT OR HILTI CFS-S SIL GG FIRESTOP SILICONE SEALANT APPLIED AT POINT OF CONTACT.

NOMINAL PIPE DIAMETER AND TYPE	ANNULAR SPACE	
	MINIMUM	MAXIMUM
MAXIMUM 10" STEEL OR CAST IRON PIPE	0"	1-1/2"
MAXIMUM 24" STEEL OR CAST IRON PIPE	0"	7/8"
MAXIMUM 6" STEEL CONDUIT	0"	1-1/2"
MAXIMUM 4" EMT	0"	1-1/2"
MAXIMUM 4" COPPER PIPE OR TUBING	0"	1-1/2"
MAXIMUM 6" COPPER PIPE OR TUBING	0"	7/8"

NOTES : 1. MAXIMUM DIAMETER OF OPENING = 26-5/8".
 2. MINIMUM 5/8" DEPTH HILTI CP 601S ELASTOMERIC FIRESTOP SEALANT OR HILTI CFS-S SIL GG FIRESTOP SILICONE SEALANT MAY BE APPLIED IN 2-HR. WALL, WHEN ANNULAR SPACE DOES NOT EXCEED 7/8".



HILTI, Inc.
 Tulsa, Oklahoma USA (800) 879-8000

Sheet	2 of 2
Scale	-
Date	Jan. 17, 2014

Drawing No.
WL
1360c

Saving Lives through Innovation and Education