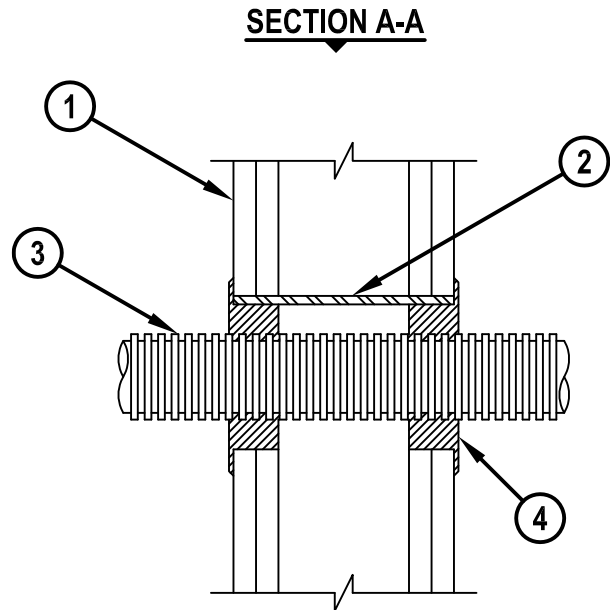
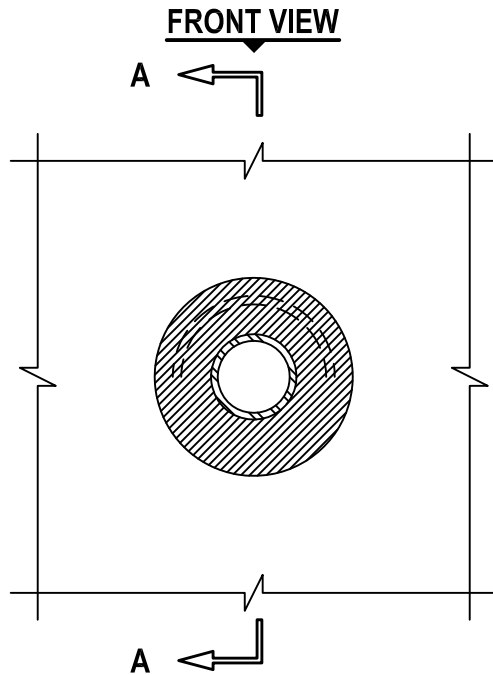


U.L. SYSTEM NO. W-L-2075
ENT THROUGH GYPSUM WALL ASSEMBLY

F-RATING = 1-HR. OR 2-HR.
 T-RATING = 1-HR. OR 2-HR. (FOR 1-HR. AND 2-HR. WALLS, RESPECTIVELY)
 L RATING AT AMBIENT = LESS THAN 1 CFM / SQ FT
 L RATING AT 400°F = 4 CFM / SQ FT

WL2075h.011215



1. GYPSUM WALL ASSEMBLY (UL CLASSIFIED U300 OR U400 SERIES) (1-HR. OR 2-HR. FIRE-RATING) (2-HR SHOWN).
2. [OPTIONAL] MAXIMUM 4" NOMINAL DIAMETER STEEL PIPE SLEEVE (SCHEDULE 40 OR THINNER).
3. MAXIMUM 2" NOMINAL DIAMETER ENT.
4. HILTI FS-ONE MAX OR FS-ONE INTUMESCENT FIRESTOP SEALANT :
 - A. MINIMUM 5/8" DEPTH, FOR A 1-HR. FIRE-RATING.
 - B. MINIMUM 1-1/4" DEPTH, FOR A 2-HR. FIRE-RATING.

**NOTES : 1. MAXIMUM DIAMETER OF OPENING = 4".
 2. ANNULAR SPACE = 3/4".**



HILTI, Inc.
 Tulsa, Oklahoma USA (800) 879-8000

Sheet	1 of 1
Scale	3/16" = 1"
Date	Jan. 12, 2015

Drawing No.
**WL
 2075h**

Saving Lives through Innovation and Education