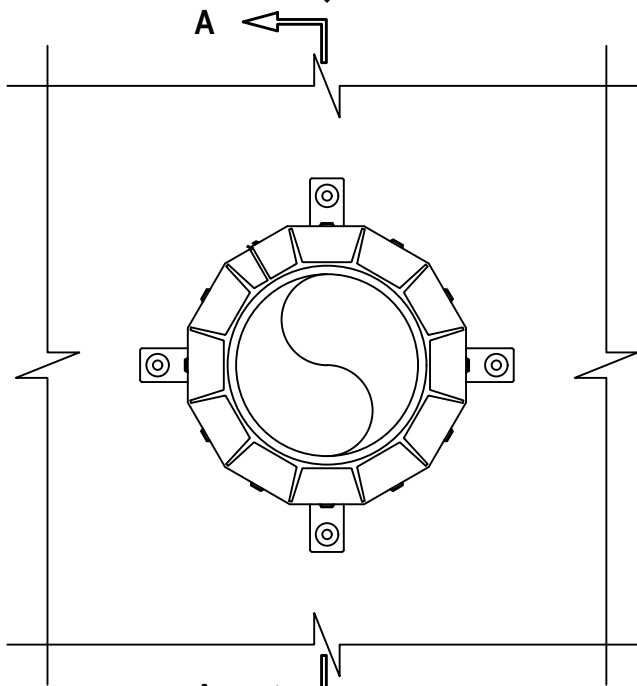


UL SYSTEM NO. W-L-2078
PLASTIC PIPE THROUGH GYPSUM WALL ASSEMBLY

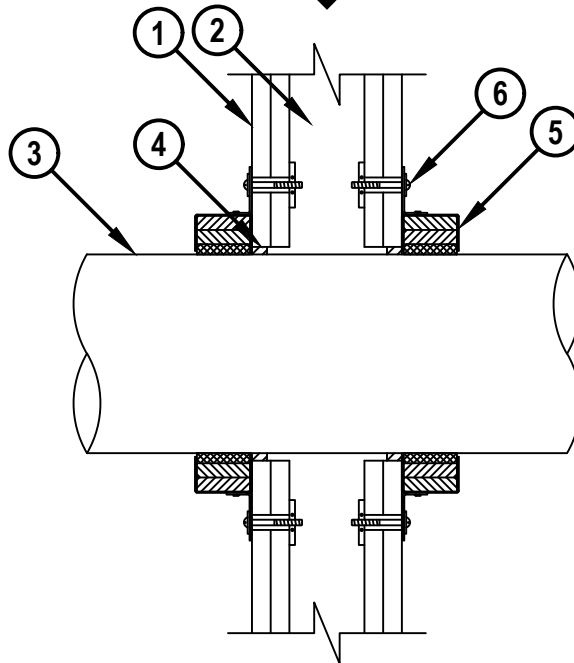
F-RATING = 1-HR. OR 2-HR.
T-RATING = 0-HR., 1-HR., OR 2-HR.
L-RATING AT AMBIENT = 3 CFM / SQ FT
L-RATING AT 400° F = LESS THAN 1 CFM / SQ FT

WL2078r.060321

FRONT VIEW



SECTION A-A



HILTI, Inc.
Plano, Texas USA (800) 879-8000

Sheet	1 of 2
Scale	5/32" = 1"
Date	June 03, 2021

Drawing No.
**WL
2078r**

Saving Lives through Innovation and Education

UL SYSTEM NO. W-L-2078
PLASTIC PIPE THROUGH GYPSUM WALL ASSEMBLY

F-RATING = 1-HR. OR 2-HR.
 T-RATING = 0-HR., 1-HR., OR 2-HR.
 L-RATING AT AMBIENT = 3 CFM / SQ FT
 L-RATING AT 400° F = LESS THAN 1 CFM / SQ FT

WL2078r.060321

1. GYPSUM WALL ASSEMBLY (UL CLASSIFIED U300, U400, OR V400 SERIES) (1-HR. OR 2-HR. FIRE-RATING) (2-HR. SHOWN).
2. [NOT SHOWN] WOOD STUDS TO CONSIST OF NOMINAL 2" x 4" LUMBER. STEEL STUDS TO BE MINIMUM 2-1/2" WIDE.
3. PENETRATING ITEM TO BE ONE OF THE FOLLOWING (ALSO SEE NOTE NO. 3 BELOW) :
 - A. MAXIMUM 10" NOMINAL DIAMETER PVC PLASTIC PIPE (CELLULAR OR SOLID CORE).
 - B. MAXIMUM 10" NOMINAL DIAMETER CPVC PLASTIC PIPE (CLOSED PIPING SYSTEM ONLY).
 - C. MAXIMUM 6" NOMINAL DIAMETER ABS PLASTIC PIPE (CELLULAR OR SOLID CORE).
 - D. MAXIMUM 6" NOMINAL DIAMETER FRPP PLASTIC PIPE.
 - E. MAXIMUM 4" NOMINAL DIAMETER PVDF PLASTIC PIPE.
 - F. MAXIMUM 4" NOMINAL DIAMETER CROSS-LINKED POLYETHYLENE (PEX) TUBING (SDR 9) (AQUAPEX OR WIRSBO HEPEX BY UPONOR) (CLOSED PIPING SYSTEM ONLY).
4. HILTI FS-ONE MAX INTUMESCENT FIRESTOP SEALANT :
 - A. [OPTIONAL] MINIMUM 1/4" DEPTH OF SEALANT INSTALLED ON PIPES NOMINAL 6" AND SMALLER. EXCEPTION : WHEN ITEM 3F IS INSTALLED, SEALANT IS REQUIRED.
 - B. MINIMUM 1/2" DEPTH OF SEALANT INSTALLED ON PIPES LARGER THAN NOMINAL 6".
5. HILTI CP 643N OR CP 644 FIRESTOP COLLAR WITH FASTENING HOOKS (SEE TABLE BELOW).
6. ATTACH EACH FASTENING HOOK TO WALL ASSEMBLY WITH HILTI 3/16" TOGGLER BOLTS AND WASHERS. FOR PIPES 4" OR SMALLER, COLLARS MAY BE FASTENED WITH NO. 10 x 1-1/2" LONG DRYWALL OR LAMINATE SCREWS WITH 3/4" STEEL WASHERS.

NOMINAL PIPE DIAMETER	PRODUCT DESCRIPTION	NO. OF FASTENING HOOKS	MAXIMUM HOLE SIZE
1-1/2"	CP 643 50/1.5" N	2	2-1/8"
2"	CP 643 63/2" N	2	2-5/8"
3"	CP 643 90/3" N	3	4"
4"	CP 643 110/4" N	3	5"
6"	CP 643 160/6" N	4	7"
8"	CP 644 200/8"	10	9-1/2"
10"	CP 644 250/10"	12	11-1/2"

NOTES : 1. ANNULAR SPACE = MINIMUM 0", MAXIMUM 1/2".
 2. CLOSED OR VENTED PIPING SYSTEM (PVC, ABS, FRPP = SCHEDULE 40; CPVC = SDR 13.5; PVDF = SDR 32.5).
 3. L-RATINGS ONLY APPLY ON PIPES NOMINAL 6" AND SMALLER, WHEN HILTI FS-ONE MAX INTUMESCENT FIRESTOP SEALANT IS USED.



HILTI, Inc.
 Plano, Texas USA (800) 879-8000

Sheet	2 of 2
Scale	-
Date	June 03, 2021

Drawing No.

WL
2078r

Saving Lives through Innovation and Education