

UL SYSTEM NO. W-L-2098

# CLOSED PVC/CPVC PLASTIC PIPE THROUGH GYPSUM WALL ASSEMBLY

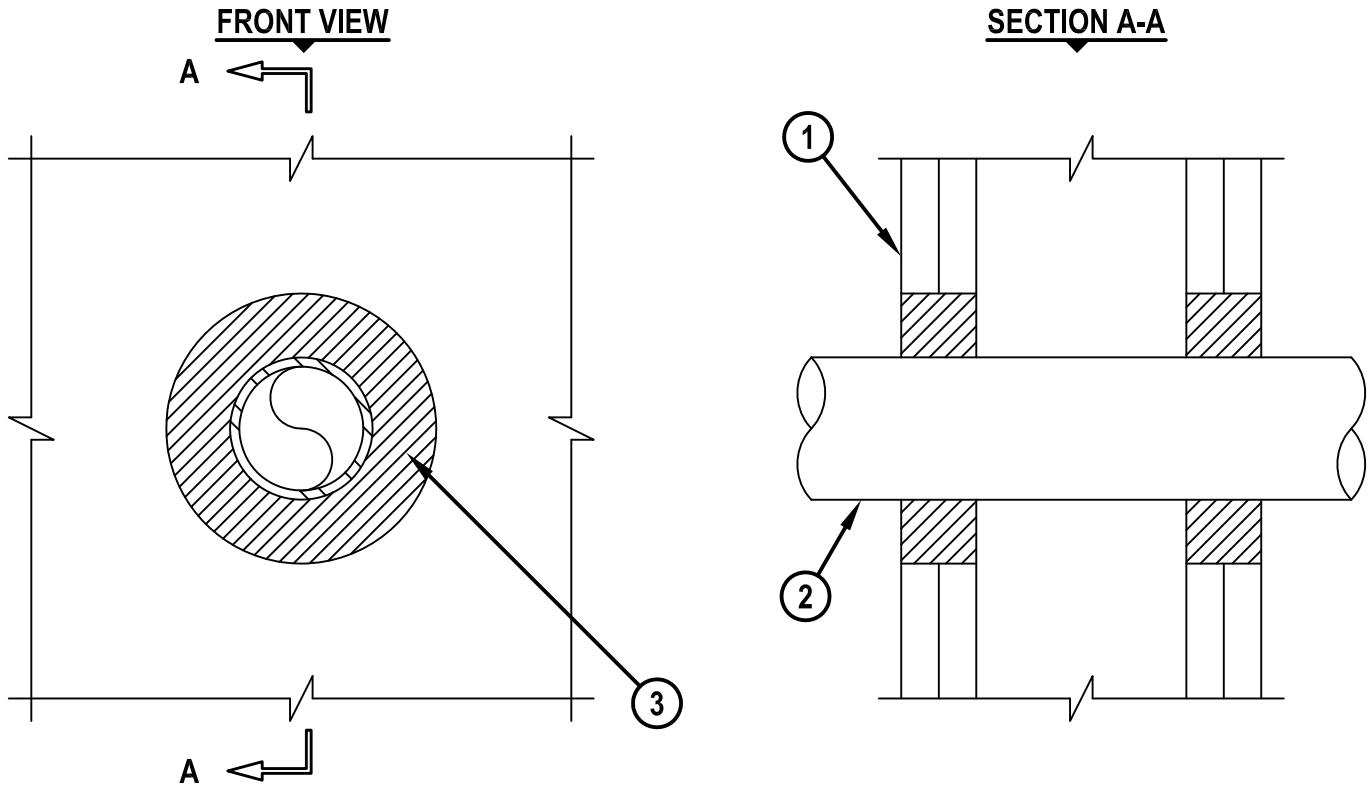
F-RATING = 1-HR. OR 2-HR.

T-RATING = 1-HR. OR 2-HR.

L-RATING AT AMBIENT = LESS THAN 1 CFM / SQ FT

L-RATING AT 400°F = 4 CFM / SQ FT

WL2098e.012415



1. GYPSUM WALL ASSEMBLY (UL CLASSIFIED U300 OR U400 SERIES) (1-HR. OR 2-HR. FIRE-RATING) (2-HR. SHOWN).
2. PENETRATING ITEM TO BE ONE OF THE FOLLOWING :
  - A. MAXIMUM 2" NOMINAL DIAMETER PVC PLASTIC PIPE (SCHEDULE 40) (CLOSED PIPING SYSTEM).
  - B. MAXIMUM 2" NOMINAL DIAMETER CPVC PLASTIC PIPE (SDR 17) (CLOSED PIPING SYSTEM).
3. HILTI FS-ONE MAX OR FS-ONE INTUMESCENT FIRESTOP SEALANT :
  - A. MINIMUM 5/8" DEPTH OF SEALANT FOR A 1-HR. FIRE-RATING.
  - B. MINIMUM 1-1/4" DEPTH OF SEALANT FOR A 2-HR. FIRE-RATING.

NOTES : 1. MAXIMUM DIAMETER OF OPENING = 4-3/8".  
2. ANNULAR SPACE = MINIMUM 3/4", MAXIMUM 1-1/4".



HILTI, Inc.  
Tulsa, Oklahoma USA (800) 879-8000

Sheet	1 of 1
Scale	5/16" = 1"
Date	Jan. 24, 2015

Drawing No.

**WL**  
**2098e**

*Saving Lives through Innovation and Education*