

UL SYSTEM NO. W-L-2165

# OPTICAL-FIBER RACEWAY OR ENT THROUGH GYPSUM WALL ASSEMBLY

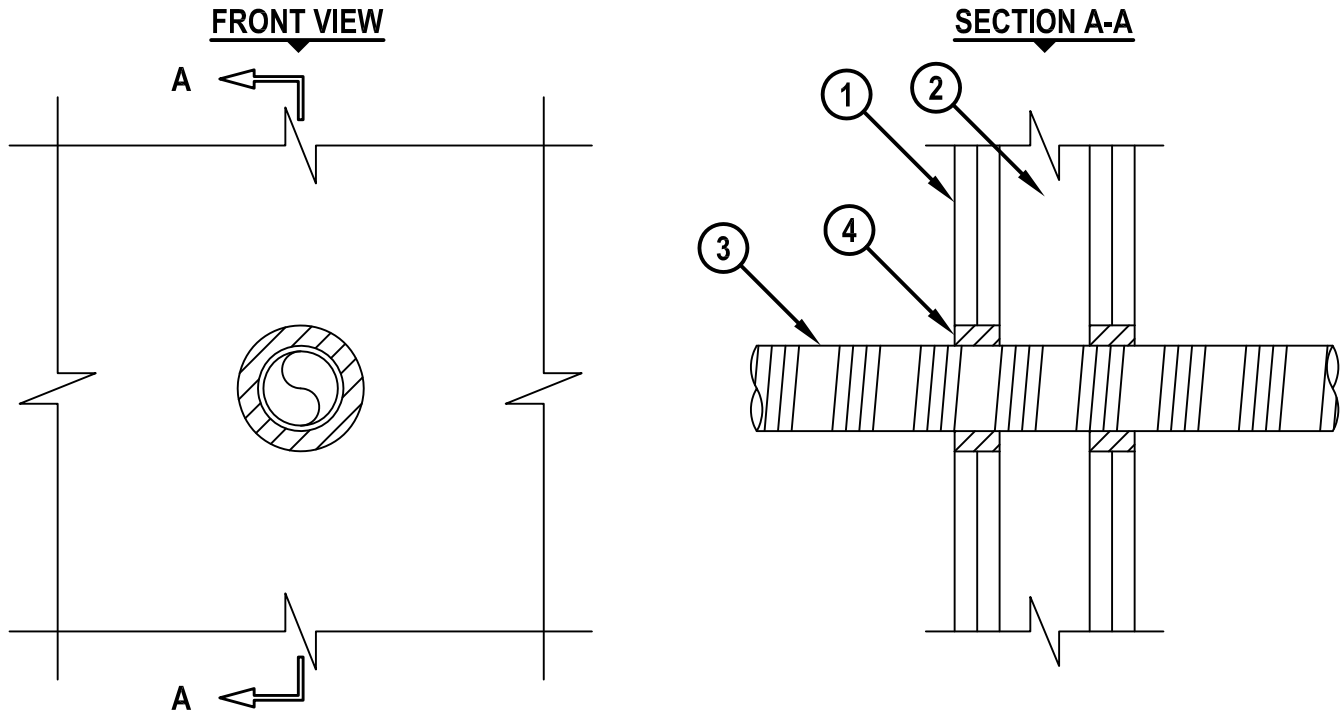
F-RATING = 1-HR. OR 2-HR.

T-RATING = 3/4-HR. OR 2-HR.

L-RATING AT AMBIENT = LESS THAN 1 CFM / SQ FT

L-RATING AT 400°F = 2 CFM / SQ FT

WL2165f.040615



1. GYPSUM WALL ASSEMBLY (UL CLASSIFIED U300, U400, V400, OR W400 SERIES) (1-HR. OR 2-HR. FIRE-RATING) (2-HR. SHOWN).
2. [NOT SHOWN] WOOD STUDS TO CONSIST OF NOMINAL 2" x 4" LUMBER. STEEL STUDS TO BE MINIMUM 2-1/2" WIDE.
3. PENETRATING ITEM TO BE ONE OF THE FOLLOWING :
  - A. MAXIMUM 2" NOMINAL DIAMETER OPTICAL-FIBER RACEWAY (INNERDUCT).
  - B. MAXIMUM 2" NOMINAL DIAMETER ENT.
4. HILTI FS-ONE MAX OR FS-ONE INTUMESCENT FIRESTOP SEALANT :
  - A. MINIMUM 5/8" DEPTH SEALANT FOR A 1-HR. FIRE-RATING.
  - B. MINIMUM 1-1/4" DEPTH SEALANT FOR A 2-HR. FIRE-RATING.

NOTES : 1. MAXIMUM DIAMETER OF OPENING = 3-1/2".  
2. ANNULAR SPACE = MINIMUM 1/4", MAXIMUM 7/8".



HILTI, Inc.  
Tulsa, Oklahoma USA (800) 879-8000

Sheet	1 of 1
Scale	3/16" = 1"
Date	Apr. 06, 2015

Drawing No.

**WL  
2165f**

*Saving Lives through Innovation and Education*