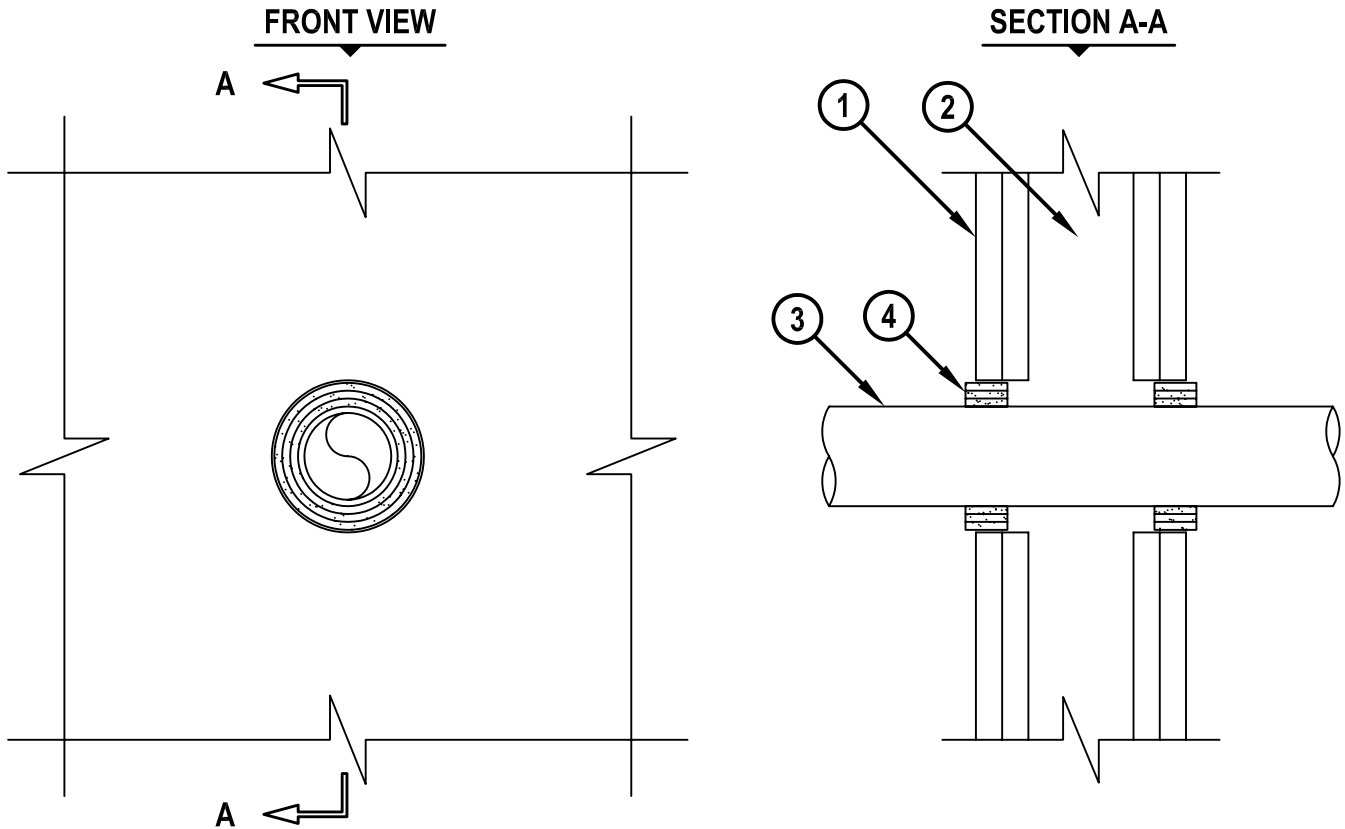


**PLASTIC PIPE THROUGH GYPSUM WALL ASSEMBLY**

F-RATING = 2-HR.

T-RATING = 1-HR.

WL2234c.061505



1. GYPSUM WALL ASSEMBLY (UL CLASSIFIED U300 OR U400 SERIES WALL) (2-HR. FIRE-RATING).
2. [NOT SHOWN] WOOD STUDS TO CONSIST OF NOMINAL 2" x 4" LUMBER. STEEL STUDS TO BE MINIMUM 2-1/2" WIDE.
3. PENETRATING ITEM TO BE ONE OF THE FOLLOWING :
  - A. MAXIMUM 2" NOMINAL DIAMETER PVC PLASTIC PIPE (CELLULAR OR SOLID CORE).
  - B. MAXIMUM 2" NOMINAL DIAMETER ABS PLASTIC PIPE (CELLULAR OR SOLID CORE).
  - C. MAXIMUM 2" NOMINAL DIAMETER CPVC PLASTIC PIPE (CLOSED PIPING SYSTEM ONLY).
4. HILTI CP 648E WRAP STRIP (NOMINAL 3/16" THICK x 1" WIDE) CONTINUOUSLY WRAPPED AROUND THE OUTER CIRCUMFERENCE OF THE PIPE, COVERING THREE TIMES, WITH ENDS BUTTED AND HELD IN PLACE WITH TAPE. WRAP STRIP TO BE SLID INTO ANNULAR SPACE, SUCH THAT 1/4" OF THE WRAP STRIP PROTRUDES FROM THE WALL SURFACE.

NOTES : 1. MAXIMUM DIAMETER OF OPENING = 3-5/8".  
 2. ANNULAR SPACE = NOMINAL 5/8".  
 3. CLOSED OR VENTED PIPING SYSTEM (PVC, ABS = SCHEDULE 40; CPVC = SDR 13.5).



HILTI, Inc.  
 Tulsa, Oklahoma USA (918) 252-6000

Sheet	1 of 1
Scale	7/32" = 1"
Date	June 15, 2005

Drawing No.

**WL  
2234c**