

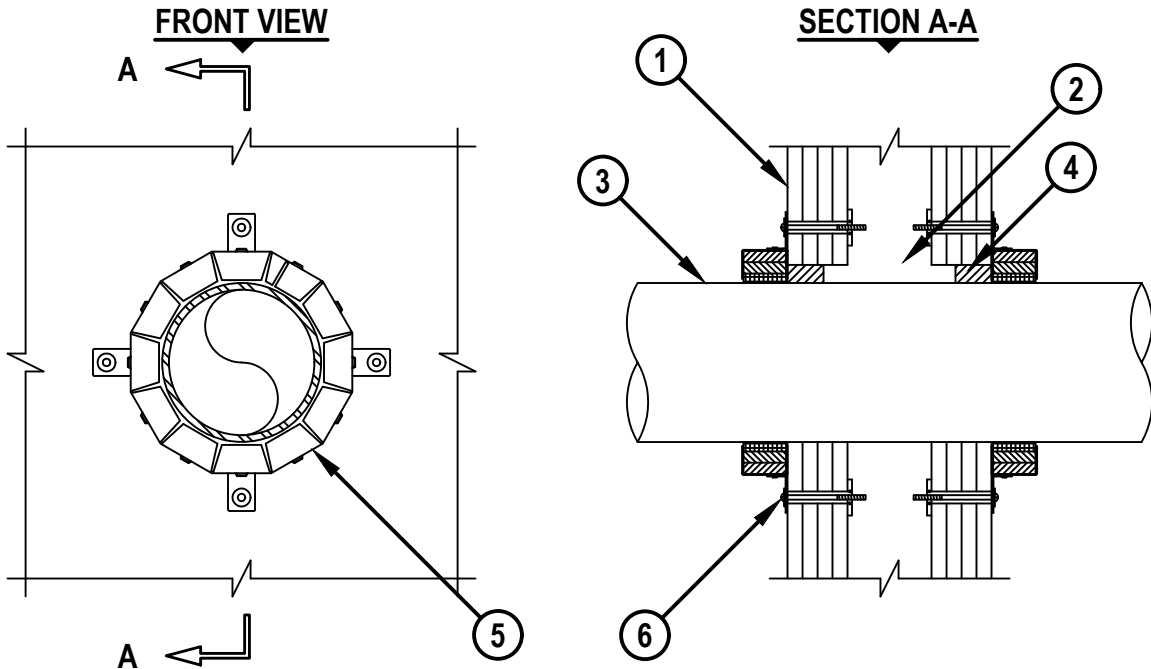
UL SYSTEM NO. W-L-2245

PLASTIC PIPE THROUGH GYPSUM WALL ASSEMBLY

F-RATING = 4-HR.

T-RATING = 2-HR. OR 4-HR.

WL2245e.091922



1. GYPSUM WALL ASSEMBLY (UL CLASSIFIED U400 SERIES WALL) (4-HR. FIRE-RATING).
2. [NOT SHOWN] STEEL STUDS TO BE MINIMUM 3-1/2" WIDE.
3. PENETRATING ITEM TO BE ONE OF THE FOLLOWING :
 - A. MAXIMUM 6" NOMINAL DIAMETER PVC PLASTIC PIPE (CELLULAR OR SOLID CORE).
 - B. MAXIMUM 6" NOMINAL DIAMETER CPVC PLASTIC PIPE (CLOSED PIPING SYSTEM ONLY).
4. MINIMUM 1-1/2" DEPTH HILTI FS-ONE MAX INTUMESCENT FIRESTOP SEALANT.
5. HILTI CP 643N FIRESTOP COLLAR WITH FASTENING HOOKS (SEE TABLE BELOW).
6. HILTI 1/4" TOGGLER BOLT WITH WASHER TO ATTACH EACH FASTENING HOOK TO WALL.

NOM. PIPE DIA.	PRODUCT DESCRIPTION	ANNULAR SPACE	T-RATING
1-1/2"	CP 643 50/1.5" N	MIN. 0", MAX. 1/2"	4
2"	CP 643 63/2" N	MIN. 0", MAX. 1/2"	4
3"	CP 643 90/3" N	MIN. 0", MAX. 1/2"	4
4"	CP 643 110/4" N	MIN. 0", MAX. 1/2"	4
6"	CP 643 160/6" N	MIN. 0", MAX. 1/2"	2

NOTES : 1. MAXIMUM DIAMETER OF OPENING = 7-3/8".
 2. CLOSED OR VENTED PIPING SYSTEM.(PVC = SCHEDULE 40; CPVC = SDR 13.5).



HILTI, Inc.
 Plano, Texas USA (800) 879-8000

Sheet 1 of 1
 Scale 5/32" = 1"
 Date Sep. 19, 2022

Drawing No.
WL 2245e